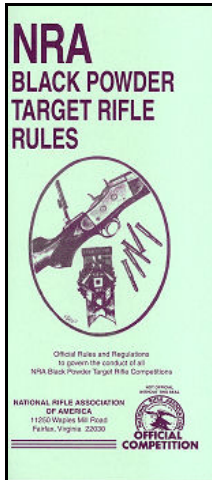


# NRA BLACK POWDER TARGET RIFLE RULES

REVISED JANUARY, 2011

## NATIONAL RIFLE ASSOCIATION Official Rules for Black Powder Target Rifle Matches



These rules establish uniform standards for NRA sanctioned Black Powder Target Rifle competition. Where alternatives are shown, the least restrictive conditions apply unless the tournament program sets forth limitations. The rules do not apply to International Shooting Union type competition. They supersede all earlier editions and remain in effect until specifically superseded.

Tournament sponsors may not alter these rules. If sponsors require additional rules for special conditions, the additions must be fully set forth in the program for the competition concerned.

The arrangement and rule numbering systems are such that corresponding rules for other types of NRA competition are correspondingly located and numbered in the Rule Books for those competitions. Gaps in the sequence of rule numbers result from there being a rule in one or more of the other Rule Books that does not apply in this book.

Recommendations for rule changes may be forwarded to the Black Powder Committee in care of the National Rifle Association.

*NOTE: Rules in which major changes have been made for the current year are marked: ● (1.1). [Click here to see all changes since the last printing of this rule book.](#)*

**Click on the Section number or title to go to that Section.**

Sec 1	NRA Competitions	Sec 12	Team Officer's Duties & Position
Sec 2	Eligibility of Competitors & Categories	Sec 13	Physically Disabled Shooters
Sec 3	Equipment & Ammunition	Sec 14	Scoring & Marking
Sec 4	Targets	Sec 15	Decision of Ties
Sec 5	Positions	Sec 16	Challenges & Protests
Sec 6	Range Standards	Sec 17	National Records
Sec 7	Courses of Fire	Sec 18	Competitor's Duties & Responsibilities
Sec 8	Time Limits	Sec 19	Classification
Sec 9	Competition Regulations	Sec 20	NRA Official Referee
Sec 10	Range Commands, Control & Operations		Illustrations
Sec 11	Tournament Officials		Appendix

## 1. NRA COMPETITION

**1.0 NRA Competitions** - Competition which is authorized in advance of firing by the National Rifle Association. The program, range facilities and officials must comply with standards established by the NRA. The types of tournaments which are Sanctioned are listed in Rule 1.6.

**1.1 Sanctioned Tournament** - A series of matches covered by an Official Program. Such matches may be all individual matches, all team matches, or a combination of both which must be conducted by an NRA Affiliated Club or organization. They may be all fired matches or a combination of fired and aggregate matches. A tournament may be conducted on one day, on successive days, or may provide for intervening days between portions of the tournament, such as tournaments programmed to be conducted over more than one weekend.

**1.2 Authorization** - Before being publicized in programs or otherwise, the sponsoring organization of each type of competition mentioned in Rule 1.6 shall have agreed to comply with the current regulations for such competition and shall have received notice from the NRA that the competition applied for has been authorized.

**1.3 Rules** -The sponsor for each type of competition must agree to conduct the authorized competition according to NRA Rules, except as these rules have been modified by the NRA in the General Regulations for that type of competition.

**1.4 General Regulations** - The sponsor of each type of competition must agree to comply with the General Regulations published by the NRA for the competition concerned.

**1.5 Refusal or Withdrawal of NRA Authorization** -The NRA may refuse to authorize or may withdraw its authorization for any competition which cannot, or does not comply, with the requirements for that competition.

**1.6 Types of Tournaments** -The types of tournament listed below are those which are Sanctioned by NRA in its Competitive Shooting Program.

- (a) National Championships - Organized by the NRA. These tournaments will be Registered.
- (b) Regional Championships - Arranged between the NRA and a local sponsoring organization. These tournaments will be Registered.
- (c) *State Championships* - Annual tournaments authorized and/or conducted by State Rifle and/or Pistol Associations affiliated with the NRA. Such State Associations may, if desired, authorize local organizations to sponsor and conduct State Championships. In states where there is no NRA affiliated State Association, the NRA may authorize a local organization to sponsor the State Championship. State Championships will be Registered Tournaments.
- (d) Registered Tournaments - May be authorized by the NRA after application has been filed by the local organization that will act as the sponsor. Application forms are available from NRA on request. National records may only be established in Registered Tournaments. (See Rule 17).
- (e) Approved Tournaments - May be authorized by the NRA after application has been filed by the local organization that will act as the sponsor. Application forms are available from NRA on request. Match Sponsors may require all competitors to be NRA members if specified in the program.
- (f) Sanctioned Leagues - (shoulder-to-shoulder or postal) May be authorized by the NRA after application has been filed by a local group or organization. Application forms are available from NRA on request. Sanctioned League scores are used for classification. A League need not be operated by an Affiliated Club or Organization.
- (g) Postal Matches - Organized by the NRA and publicized to concerned groups through the *Shooting Sports U.S.A.* announcements and special mailings.
- (h) Special Tournaments - May be sanctioned by NRA for types of shooting not otherwise a part of the NRA program.
- (i) *State and Senior Games* - Tournaments which are part of the State and Senior Games program. Such

tournaments are not charged fees, nor will any scores fired be used for classification. A simplified sanctioning procedure may be used, and they will be listed in Coming Events with the only contact being the State Coordinator.

### **1.7 Types of Matches -**

- (a) Match - A complete event as indicated in the program for the awarding of certain specific prizes. A match may consist of one or several stages. It may, in the case of aggregate matches, include the scores fired in several subsidiary matches.
- (b) *Stage* - A portion of a match which consists of one or more strings fired in one position, distance or time allowance.
- (c) Open Match - A match open to anyone, except, that if so stated in the program, an open match may be limited to one or any combination of the following: (a) United States citizens; (b) members of the National Rifle Association of America; and/or (c) with respect to non-U.S. citizens, persons who are members in good standing of their respective national federations or associations. (See Rule 2.1.1).
- (d) Restricted Match - A match in which competition is limited to specific class, i.e., Masters, Experts, Sharpshooters, Marksmen, etc.
- (e) Classified Match - A match in which awards are given to the winners and the highest competitors in several specified classes, such as Masters, Experts, Sharpshooters, and Marksmen. The classification of competitors may be accomplished by the National Classification System or by other means. The program for classified matches must specify the groups or classes in which awards will be made.
- (f) Invitational Match - A match in which participation is limited to those who have been invited to compete.
- (g) Squaddered Individual Match - A match in which each competitor is assigned a definite relay and target by the Statistical Office. Failure to report on the proper relay or firing point forfeits the right to fire. All entries must be made before firing commences in that match, except when otherwise stated in the tournament program.
- (h) Unsquaddered Individual Match - A match in which the competitor is not assigned a definite relay or target by the Statistical Office. The competitor reports to the Range Officer within the time limits specified in the program and is then assigned to a target and a relay in which to fire.
- (I) Re-Entry Match - A match in which the competitor is permitted to fire more than one score for record; one or more of the highest scores being considered to determine the relative rank of competitors. Scores fired in these matches shall not be used for classification purposes.
- (j) Squaddered Team Match - A match in which the teams are assigned a definite time to fire. Teams may be assigned one or more adjacent targets. All entries must be made before firing commences in that match. The entire team must report and fire as a unit.
- (k) Unsquaddered Team Match - A match in which the teams may report at the firing line at any time within the limits specified in the program, targets being assigned by the Range Officer. The entire team must report and fire as a unit, unless the program provides otherwise.
- (l) Aggregate Match - An aggregate of the scores from two or more matches. This may be an aggregate of match stages, individual match, team matches, or any combination, provided the tournament program clearly states the matches which will comprise the aggregate. Entries in aggregate matches must be made before the competitor commences firing in any of the matches making up the aggregate match.

## **PUBLIC AFFAIRS**

All tournament sponsors are urged to give special consideration to the needs of the news media personnel in order to achieve maximum publicity for the competition. Public news media personnel representing print and/or broadcast should be given every consideration and cooperation in keeping with the proper conduct of the competition.

## 2. ELIGIBILITY AND CATEGORIES OF COMPETITORS

**Eligibility of Competitors** - The conditions of a match shall prescribe the eligibility of competitors, team or individuals, in accordance with Rule 1.6 and/or the definitions contained in Section 2. Any limitation of eligibility to compete must be stated in the Match Program.

### INDIVIDUALS

**2.1 Members of the National Rifle Association** - Any individual member, including Benefactors, Patrons, Endowment, Life, Annual, Associate, Non-Resident and Junior Members.

**2.1.1 Non-U.S. Citizens** - Non-U.S. Citizens may compete in any NRA Sanctioned Tournament, unless further restrictions are imposed by conditions stated in the program.

**2.1.2 Categories and Special Awards** - If there are sufficient number of competitors of a specific group (i.e., Woman, Junior, Senior), a Match Sponsor may establish a separate category for this group and provide an overall Special Award such as High Woman, High Junior, etc., and all competitors within this specific group would be eligible for this one Special Award. Details concerning categories and special awards must be clearly outlined in the tournament program.

### 2.2 - Blank

**2.2.1 Senior** - A person may compete as a Senior beginning on January 1, of the calendar year in which his or her 60th birthday occurs.

**2.3 Junior** - A person may compete as a Junior through December 31 of the calendar year in which his or her 20th birthday occurs. Individuals who have National Guard, Reserve, or active duty status and receive support may not compete as juniors.

**2.3.2 Sub-Junior** - A Junior may compete as a Sub-Junior through December 31st of the calendar year in which his or her 14th birthday occurs.

### 2.4 - 2.9 - Blank

### TEAMS

**2.10 Team Representation** - No individual may be a team captain, coach, firing member, or alternate firing member on more than one team in any one match.

*Note: Entries will not be accepted from "Pickup" teams (teams whose members are selected without regard to club or other organization affiliation) unless the program specifically provides for such eligibility. Scores fired by pickup teams are not eligible for national records.*

**2.11 Club Teams** - All team members, including Team Captain and firing coach, must have been active fully-paid members of the club team represented for a period of at least 30 days immediately prior to the competition. The club may be affiliated with the NRA. If specifically allowed by conditions of the program, a person who is not a club member may serve as the coach of a Club Team but may not be a firing member.

**2.11.1 Other Organizations** - All members of such teams must have been fully paid members of the organization the team represents, for a period of at least 30 days immediately prior to the competition. The organization may be affiliated with the NRA.

**2.12 State Association Teams** - Members of State Association teams must be residents of the state represented. Members of such teams must be individual members of the State Rifle and/or Pistol Association represented, if such State Association provides for individual membership, or be members of a rifle and/or pistol club which is affiliated and in good standing with the concerned State Association at the time of the competition. State Association Teams permitted to enter the concerned competition by the tournament program conditions, must be authorized and accredited by the State Association for that tournament. Authorization shall be signed by the State Association President, Vice President, or Secretary. Such State Association must be affiliated and in good standing with the NRA at the time of the competition. If specifically allowed by conditions of the program, a

person who is not a State Association member may serve as the coach of a State Association Team but may not be a firing member.

*Note: Teams representing State Association, Leagues and other associations (composed of more than one club) are not club teams. Such teams may enter NRA sanctioned matches only when the program specifically authorizes such entry.*

**2.13 - 2.19 - Blank**

**2.20 Residence** - In those matches which are limited to residents of any specified geographical area a "resident" is defined as:

- (a) A person who presents photo identification, issued by a government entity, which shows a residential address within the specific geographical area.
- (b) Military Personnel: The place of residence of members of the Military on active duty is defined as the place at which they are stationed by reason of official orders, provided they have been so stationed within the specified area for a period of at least 30 days immediately prior to the day of the match.
- (c) Federal and State Law Enforcement Officers: The provisions of paragraphs (b) will apply.

### 3. EQUIPMENT AND AMMUNITION

This section defines authorized equipment. Where alternative types of equipment are shown, the least restrictive conditions apply unless the tournament program sets forth limitations.

**3.1 Rifle** - Any safe, original or modern production or custom variety, breech loading rifle designed as a single shot. Bolt action rifles are specifically not allowed. Original or modern muzzle loading rifles, with or without a sealed ignition are also allowed. Safe triggers are required. Electronic triggers and adjustable butt plates are prohibited.

- (a) Breech loading rifles must be chambered for authentic, original black powder cartridges and calibers, taking into account normal variations in types of brass and primers as well as bore sizes, rifling styles and twist and chamber dimensions.
- (b) The rifle, including all attachments such as, but not limited to slings and sights, shall not weigh more than 15 pounds unloaded.
- (c) Wiping the bore between shots is permitted.
- (d) Use of an offset blow tube is permitted between shots from the breech or muzzle.
- (e) Add-on cheek pieces are permitted.

**3.2 Black Powder Military Rifle** - Any safe, original or modern production single shot or muzzle loading rifle, as issued for general service by the armed forces of any nation, having not less than a 3 pound trigger pull, with standard type stock and standard leather or web sling. Bolt action rifles are specifically not allowed. External alterations to the stock will not be allowed. The trigger must be typical to the rifle and not subject to accidental discharge. (See Rule 3.7.)

- (a) Breech loading rifles must be chambered for authentic, original black powder cartridges and calibers, taking into account normal variations in types of brass and primers as well as bore sizes, rifling styles and twist and chamber dimensions.
- (b) The rifle, including all attachments such as, but not limited to slings and sights, shall not weigh more than 15 pounds unloaded.
- (c) Wiping the bore between shots is permitted.
- (d) Use of an offset blow tube is permitted between shots from the breech or muzzle.

#### 3.3 - 3.6 - Blank

#### 3.7 Sights:

- (a) Metallic -Any period metallic sights are allowed. No optics other than sight correcting shooting glasses are permitted.
- (b) Metallic Black Powder Military Rifle -The front and rear sights must be of original design, but may vary in dimensions of rear sight aperture and front sight blade heights.
- (c) Telescopic
  - (1) No length or power limitation on the scope. Scope tube body to be 3/4" or less in diameter and any ocular or objective lens, adjusting or assembly rings to be less than 1" in diameter.
  - (2) No internal adjustments for windage or elevation
  - (3) Mounts are to be of a traditional style of the period and contain the windage and elevation adjustments for the scope in either, or both, the front or rear mounts. No click adjustments in the mount. Either dovetail mounting or scope block mounting is allowed

Original scope mounts of either the Cataract or Malcom style or variations there of, or replicas or derivative of either style, are allowed provided the replica or derivative conforms to the criteria of the above.

**3.8 Spotting Scopes** - The use of a telescope to spot shots is permitted. It may be positioned forward of the shooter's shoulder.

**3.9 Shooting Kits** - The shooting kit and/or shooting stool may not be placed forward of the firing line.

**3.10 Ground Cloth** - A ground cloth or ground pad may be used provided it is not constructed or used in a manner to provide artificial support.

**3.11 Gloves** - Gloves may be worn which do not form an artificial support.

**3.12 Padding** - Shoulder pads and elbow pads may be worn provided they are constructed so as not to provide artificial support.

**3.13 Slings, Rests and Other Equipment** - Slings may be used, at the shooter's option only in the "Any" position. A sling may be used in conjunction with a wrist rest in the "Any" position competition over 600 yards. A rest in the form of approved crossed sticks, or a forward hand support rest, such as sandbags, or other rests built for that purpose may be used in the "Any" position, but may not be affixed to the rifle in any manner, and with the exception of the crossed sticks, they may not contact the rifle in any manner. Gloves, shooting jackets, shooting mats, spotting scopes, sun shades and rain covers of reasonable size are permitted. Individual wind flags of a non-electric nature may be used, provided they are not placed ahead of the firing line. Equipment must be placed behind the firing line and must be placed so that it does not interfere with other shooters.

- (a) **Crossed Sticks:** Crossed sticks constructed of two wooden legs, no greater than 1 inch by 2 inches in thickness and width or 1-1/2 inches in diameter, and bolted or tied so that the two legs are hinged and capable of pivoting. The end of the legs may be equipped with spikes no more than 3 inches in length and no wider than the edge of the crossed stick. They may be inserted into the ground by hand pressure only to aid in retention of an upright position. This may be waived by the Match Director to fit local conditions. One layer of protective material may be suspended or inserted in the "V" of the crossed sticks to protect the rifle. All cross sticks will be certified.
- (b) Shooting jackets made of cotton, cotton twill, khaki or similar weight material which may have non-slip patches added to elbow and shoulder are permitted. Shooting jackets made of any heavier material (example: leather or nylon) are considered to provide artificial support and are prohibited.
- (c) International Shooting Accessories - Generally International events allow the use of UIT style clothing and support equipment. This may include but not limited to coats, gloves, slings, and mats. (For specific definitions and dimensions, refer to NRA International Rifle Rules or UIT Rules.)

**3.14 - Palm Rest** - A palm rest may not be used. A palm rest is any attachment or extension below the forearm which aids the normal hand grip and support of the rifle by the forward hand/arm.

**3.14.1 Kneeling Roll** - A cylindrical cushion for shooting in the kneeling position; maximum dimensions will be 9.84 inches long (25 cm) and 7.08 inches in diameter (18cm), and made of soft flexible material.

**3.15- Butt plates** - Schuetzen type butt plates are not permitted. Crescent-style butt plates are permitted but cannot be over 1-1/8 inches deep when measured from a straight line from the points of the butt plate.

**3.16 Release Trigger** - Triggers which function on release are prohibited.

**3.17 Ammunition** - Ammunition may be fixed, breech seated or muzzle loaded. Only commercially manufactured sporting grade Black Powder or Black Powder substitute may be used for the entire powder charge. No smokeless powder in any quantity may be used. **NOTE:** Follow all manufacturer's recommended guidelines.

(a) Non-metallic wads and or fillers may be used.

(b) **Bullets and Patching** - No restrictions are placed on the size or the shape of the bullet. Bullets may be one or two piece, lubricated or cloth or paper patched and must be entirely composed of lead or lead alloy.



Non-lead or non-lead alloy metallic gas checks, metallic half-jackets or metallic full-jackets are not allowed.

- (c) Match Officials may, at their discretion, select one or more loaded cartridges at random, pull the bullet and check the contents.

**3.18 General** - All devices or equipment which may facilitate shooting and which are not mentioned in these rules, or which are contrary to the spirit of these rules and regulations, are forbidden. The Match Director, Official Referee, Jury Chairman or Supervisor shall have the right to examine a shooter's equipment or apparel. The responsibility shall be upon the competitor to submit questionable equipment and apparel for official inspection and approval in sufficient time prior to the beginning of a match so that it will not inconvenience either the competitor or the official.

**3.19 Eye Protection** - All competitors and other personnel in the immediate vicinity of the range complex are urged to wear eye protection devices.

**3.20 Ear Protection** - All competitors and other personnel in the immediate vicinity of the range complex are urged to wear hearing protection devices.

Only sound reducing devices may be worn by competitors forward of the ready line. Radios, tape recorders, or any type of sound producing or communication systems are prohibited forward of the ready line.

**3.21 Open Action Indicator** - An open action indicator is required in all NRA Black Powder Cartridge Rifle competitions to indicate that the action is open. Any open action indicator may be used as long as it keeps the action open and has a yellow flag extending from the receiver. An open action indicator, stock number CT17500, is available from the NRA Sales Department.

## 4. TARGETS

**4.1 Targets** - In NRA Sanctioned competition, only targets printed by NRA Licensed Manufacturers, bearing the Official Competition target seal, or military targets issued by the Armed Services, without modification as authorized by the NRA, will be used. All NRA Official Competition Targets are printed by NRA licensed Manufacturers only. They may not be modified by the user or the Manufacturer, except with specific written permission from the NRA Competitions Division. NRA Target masters are made using Computer Assisted Design and must be used in production of all NRA Targets.

*Note: The military target for 200 and 300 yards is known as "Target, Rifle, Competition, Short Range" and the target for 500 and 600 yards is known as "Target, Rifle, Competition, Mid-Range." These definitions are abbreviated as "SR" and "MR" respectively in the descriptions which follows for the reduced targets.*

### 4.2 100 Yard Targets -

(a) NRA No. SR-1 - Reduction of the SR Target for use at 100 yards to simulate the 200-yard stage.

<i>Aiming Black</i>	<i>(inches)</i>
X ring .....	1.35
10 ring .....	3.35
9 ring .....	6.35
 <i>Rings in White</i>	 <i>(inches)</i>
8 ring .....	9.35
7 ring .....	12.35
6 ring .....	15.35
5 ring .....	18.35

(b) N.R.A. No. SR-21 -Reduction of the SR-3 target to simulate 300-yard stage at 100 yards.

<i>Aiming Black</i>	<i>(inches)</i>
X ring .....	0.79
10 ring .....	2.12
9 ring .....	4.12
8 ring .....	6.12
 <i>Rings in White</i>	 <i>(inches)</i>
7 ring .....	8.12
6 ring .....	10.12
5 ring .....	12.12

(c) N.R.A. No. MR-31 - Reduction of the MR-1 target to simulate the 600 yard stage at 100 yards.

<i>Aiming Black</i>	<i>(inches)</i>
X ring .....	0.75
10 ring .....	1.75
9 ring .....	2.75
8 ring .....	3.75
7 ring .....	5.75
 <i>Rings in White</i>	 <i>(inches)</i>
6 ring .....	7.75
5 ring .....	9.75

### 4.3 200 Yard Targets -

(a) No. SR Military "Target, Rifle, Competition, Short Range."

<i>Aiming Black</i>	<i>(inches)</i>
X ring .....	3.00
10 ring .....	7.00
9 ring .....	13.00
 <i>Rings in White</i>	
<i>(inches)</i>	
8 ring .....	19.00
7 ring .....	25.00
6 ring .....	31.00
5 ring .....	37.00

(b) N.R.A. No. SR-42-Reduction of the SR-3 target to simulate 300-yard stage at 200 yards.

<i>Aiming Black</i>	<i>(inches)</i>
X ring .....	1.90
10 ring .....	4.56
9 ring .....	8.56
8 ring .....	12.56
 <i>Rings in White</i>	
<i>(inches)</i>	
7 ring .....	16.56
6 ring .....	20.56
5 ring .....	24.56

(c) N.R.A. No. MR-52-Reduction of the MR-1 target to simulate the 600 yard stage at 200 yards.

<i>Aiming Black</i>	<i>(inches)</i>
X ring .....	1.79
10 ring .....	3.79
9 ring .....	5.79
8 ring .....	7.79
7 ring .....	11.79
 <i>Rings in White</i>	
<i>(inches)</i>	
6 ring .....	15.79
5 ring .....	19.79

(d) N.R.A. No. SR-5-Same scoring ring dimensions as No. SR-Military with scoring rings through 7 only; paper size 28 X 28 inches. For use at 200 yards on ranges with small target frames.

#### 4.4 300 Yard Targets -

- (a) N.R.A. SR-3 - Enlarged aiming black for use in 300-yard matches only. Scoring rings the same as the SR target, with the 8-ring in the aiming black.

<i>Aiming Black</i>	<i>(inches)</i>
X ring .....	3.00
10 ring .....	7.00
9 ring .....	13.00
8 ring .....	19.00
 <i>Rings in White</i>	
7 ring .....	25.00
6 ring .....	31.00
5 ring .....	37.00

- (b) N.R.A. No. MR-63 - Reduction of the MR-1 target for use at 300 yards to simulate the 600-yard stage.

<i>Aiming Black</i>	<i>(inches)</i>
X ring .....	2.85
10 ring .....	5.85
9 ring .....	8.85
8 ring .....	11.85
7 ring .....	17.85
 <i>Rings in White</i>	
6 ring .....	23.85
5 ring .....	29.85

#### 4.5 500 Yard Target -

- (a) MR-65 "Target, Rifle, Competition Mid-Range." Used in 500-yard matches only.

<i>Aiming Black</i>	<i>(inches)</i>
X ring .....	5.00
10 ring .....	10.00
9 ring .....	15.00
8 ring .....	20.00
7 ring .....	25.00
6 ring .....	30.00
 <i>Rings in White</i>	
5 ring .....	36.00

**4.6 600 Yard Target -**

(a) MR-1 target -Enlarged aiming black for use in 600-yard matches only.

<i>Aiming Black</i>	<i>(inches)</i>
X ring .....	6.00
10 ring .....	12.00
9 ring .....	18.00
8 ring .....	24.00
7 ring .....	36.00
 <i>Rings in White</i>	
<i>(inches)</i>	
6 ring .....	48.00
5 ring .....	60.00

**4.7 800, 900 and 1000 Yard Target -**

(a) NRA No. LR

<i>Aiming Black</i>	<i>(inches)</i>
X ring .....	10.00
10 ring .....	20.00
9 ring .....	30.00
8 ring .....	44.00
 <i>Rings in White</i>	
<i>(inches)</i>	
7 ring .....	60.00
6 ring .....	72" x 72" square

(b) NRA No. LR Center - Paper size is approximately 45" x 45" square. Same scoring ring dimension as NRA No. LR, through 8 ring (may have arcs of 7 rings on corners of the paper). For use with NRA No. LR; or may be used to provide the equivalent of No. LR by superimposing on the Military MR Target with MR 5 ring becoming the LR 7 ring. In these uses, the area outside the 7 ring is the 6 area.

(c) When wings are added to extend the width up to 24" on each side of the 72" x 72" target, hits on the wings will also have a value of 6.

## 5. POSITIONS

*Positions - The positions for use in a match shall be stated in the program under conditions of the match and shall be in accord with the definitions prescribed in this section.*

**5.1 The Ground** - All references to “the ground” in the following position rules are to be construed as applying to surface of the firing point.

**5.2 Artificial Support** - Artificial support is defined as any supporting surface, except the ground, not specifically authorized for use in these rules. (See Rule 5.9)

**5.3 Position of Rifle Butt** - In the standing, sitting, kneeling and prone positions only, the butt of the rifle must be held against the front of the shoulder on the outside of the shooting coat or shirt and must not touch the ground.

### 5.4 - Blank

**5.5 Prone** - Body extended on the ground, head toward the target. The rifle will be supported by both hands and one shoulder only. No portion of the hand shall rest upon the ground or any artificial support, nor may any portion of the rifle or body rest against any artificial support.

**5.5.1 Prone with Crossed Sticks** - Body extended on the ground, head toward the target. In addition to the crossed sticks, the rifle may be supported by both hands and one shoulder. While firing with crossed sticks, the shooter’s hand may support the butt of the rifle, but may not touch the ground or mat and the rifle at the same time.

**5.5.2 WHRSA Prone** - Body extended on the ground, head toward the target. The non trigger hand must be placed between the rifle and any support, such as crossed sticks. A sling may be used with a wrist rest if desired.

**5.6 Kneeling with Crossed Sticks** - Buttocks clear of the ground, but may rest on one foot. In addition to the crossed sticks, the rifle may be supported by one or both hands and one shoulder only. The arm supporting the rifle may rest on the knee or leg. The elbow of the trigger arm will be free from all support. One knee must be touching the ground. At the shooter’s option, one hand may be used to hold the rifle in the “v” of the crossed sticks. (See Rule 5.2.) A kneeling roll as described in Rule 3.14.1 may be used.

**5.7 Sitting with Crossed Sticks** - Weight of the body supported on the buttocks and the feet or ankles, no other portion of the body touching the ground. In addition to the crossed sticks, the rifle may be supported by one or both hands and one shoulder only. Arms may rest on the legs at any point above the ankles. At the shooter’s option, one hand may be used to hold the rifle in the “v” of the crossed sticks. (See Rule 5.2.)

**5.8 Standing** - Erect on both feet, no other portion of the body touching the ground or any supporting surface. The rifle will be supported by both hands and one shoulder only. The elbow or upper arm of the forward arm may be placed against the body or rested on the hip.

**5.9 Any** - Any safe shooting position, including the back rest position, except bench rest. When using the backrest position, the shooter is allowed to support the head with one hand that can touch the surface of the firing point or the shooting mat. No portion of the shooter’s body or shooting rest may be placed ahead of the firing line during the relay. No part of the rifle supporting hand or sling may touch the surface of the firing point or shooting mat while firing the shot. While firing with crossed sticks, the shooter’s hand may support the butt of the rifle, but may not touch the ground or mat and the rifle at the same time. While firing with a wrist rest, the shooter’s hand must be placed and remain between the rifle and the rest as the shot is fired. (See Rule 5.2).

## 6. RANGE STANDARDS

**6.1 Firing Line** - The firing line is immediately in front of the firing points. All ranges are measured from the firing line to the face of the targets when targets are hung in their proper firing position.

**6.2 Firing Point** - The part of the range provided for the competitor immediately to the rear of the firing line and from which firing takes place.

**6.3 Shelter** - The firing point of outdoor ranges may be covered. There must be ample room for Range Officer, Block Officers, and witnesses to move freely to the rear of the shooters. This does not preclude the construction of ranges within areas surrounded or partially surrounded by safety walls.

**6.4 Distances** - Matches are commonly fired at ranges of 100, 200, 300, 500, 600, 800, 900 and 1000 yards.

**6.5 Illumination** - Artificial illumination of ranges is authorized.

**6.6 Target Numbers** - Target frames will be numbered on alternating backgrounds of contrasting color. The numbers will be large enough to be identified by an unaided eye under ordinary light conditions. Numbers must correspond to the firing point numbers. Target numbers will be positioned to remain visible when the targets are both exposed and concealed.

**6.7 Types of Target Frames** - Target frames will be made of material that will not cause ricochets. "Wings" may be added to the 6'x6' target frame to make it up to 10'x6'.

**6.8 Loading Tables** - It is the competitor's responsibility to provide a table for loading.

**6.9 Range Safety Flag** - A red flag visible from the firing line will be displayed when firing is in progress. The Recommended size of range flags is 5', 9 3/8" at the hoist, 18 feet in length and tapered the full length of the lower edge to be 3 feet wide at the fly end and made of red cotton bunting.

**6.9.1 Wind Flag** - Wind Flags may be displayed at various distances between the firing line and the targets. It is recommended that the flags be placed at 200, 500, and 700 yards. All wind flags should be the same size as the range flag.

**6.10 Communication** - Communication will be maintained between the target pit and firing line whenever personnel are in the pits.

**6.11 - Blank**

## 7. COURSE OF FIRE

*The following courses and types of fire are suggested for NRA sanctioned Black Powder Target Rifle competition, fired on standard targets described in Section 4. See Section 8 for time allowances, Rule 17.5 for courses of fire for which National Records are recognized, and Rule 19.5 for courses of fire used for classification.*

*Other courses of fire, other time limits, or the use of other targets, may be scheduled by sponsors provided the conditions are clearly stated in the program.*

**STANDARD SINGLE-STAGE MATCH COURSES OF FIRE:** (An asterisk (\*) indicates reduced target and distance course)

	<b>Position</b>	<b>Shots</b>	<b>Distance</b>	<b>Target</b>
<b>7.1</b>	*Standing	10	100 yds	SR-1
<b>7.2</b>	*Sitting or Kneeling with crossed sticks	10	100 yds	SR-21
<b>7.3</b>	*Any	10	100 yds	MR-31
<b>7.4</b>	Standing	10	200 yds	SR
<b>7.5</b>	*Sitting or Kneeling with crossed sticks	10	200 yds	SR-42
<b>7.6 (a)</b>	*Any	10	200 yds	MR-52
<b>7.6 (b)</b>	*Any	10	200 yds	SR
<b>7.7</b>	Sitting or Kneeling with crossed sticks	10	300 yds	SR-3
<b>7.8 (a)</b>	*Any	10	300 yds	MR-63
<b>7.8 (b)</b>	*Any	10	300 yds	SR-3
<b>7.9</b>	Any	10	500 yds	MR-65
<b>7.10</b>	Any	10	600 yds	MR-1
<b>7.11</b>	Any	10/15	800 yds	LR
<b>7.12</b>	Any	10/15	900 yds	LR
<b>7.13</b>	Any	10/15	1000 yds	LR

**STANDARD MULTIPLE STAGE OR AGGREGATE MATCH COURSES OF FIRE:**

<b>7.14</b>	30 Shot Match Course			
	Standing	10	100 or 200 yds	SR-1 SR
	Sitting or Kneeling with crossed sticks	10	100, 200 or 300 yds	SR-21, SR-42 or SR-3
	Any	10	100, 200, 300, 500 or 600 yds	MR-31, MR-52 MR-63 MR-65 or MR-1
<b>7.14.1</b>	30 Shot Mid-Range Any Position Course			



	Any	10	200 yds	MR-52
	Any	10	300 yds	MR-63
	Any	10	600 yds	MR-1
<b>7.14.2</b>	30 Shot Mid-Range Any Position Course			
	Any	10	200 yds	SR
	Any	10	300 yds	SR-3
	Any	10	600 yds	MR-1
<b>7.15</b>	40 Shot Long Range Match Course			
	Standing	10	200 yds	SR
	Sitting or Kneeling with crossed sticks	10	300 yds	SR-3
	Any	10	600 yds	MR-1
	Any	10	1000 yds	LR
<b>7.16</b>	60 Shot National Course. Two 30 Shot Match Courses			
<b>7.16.1</b>	60 Shot Mid-Range Any Position Course. Two 30 Shot Mid-Range Any Position Courses			
<b>7.17</b>	Creedmoor Course (30 shots)			
	Any	10	800 yds	LR
	Any	10	900 yds	LR
	Any	10	1000 yds	LR

## 8. TIME LIMITS

**8.1 Computing Time** - Time is not checked on each shot. The time allowance is computed for a complete stage (including sighting shots when specified) on the basis of the specified number of shots multiplied by the allowance per shot. (See Rule 9.6.) The Chief Range Officer may terminate any relay before completion of the full time allowance, if all competitors in that relay have completed firing. Time allowed but not used does not carry over to another string or stage.

**8.2 Time Allowances** - The time allowance is three minutes per record shot. All record firing and practice firing must be completed within the limit of 30 minutes for a 10 shot match.

*Note: (1) Time limits may be reduced by the Tournament sponsor to a minimum of two minutes for each record shot and must be in the match program.*

*Note: (2) If a Tournament is fired on fixed frames, 12 minutes should be allowed for sighters, then 30 minutes for the 10 record shots after the sighters have been taken.*

**8.2.1** Computing time during pair firing with two (2) or more shooters sharing a firing point:

- (a) The time limit for two (2) or more shooters sharing a firing point may be reduced to two (2) minutes per record shot.

**8.2.2 Computing time when two shooters “string fire” within a block of time** - The allotted time will be divided between the two shooters. The first shooter must finish within his portion of the time. Any shot fired exceeding that time is a miss, unless otherwise agreed between the two shooters.

*Shooters using more than the allotted time will be warned only once and then penalized by a 10 point deduction for each subsequent occurrence.*

**8.3 Team Time** - A team will be allowed a total team time equal to the time allowed an individual stage or match of the same type, times the number of shooters required to fire on each target, plus 3 minutes for each change of shooters required per target. (See Rule 11.6.8.(b))

**8.4 Passage of Time** - It is not the duty of the Range Officer or Scorekeeper to warn competitors of the passage of time. Competitors may inquire of the Range Officer or Scorekeeper as to the time remaining before expiration of the time limit. The Range Officer or scorekeeper will give such information in a tone that will not disturb other competitors. A five minute warning will be given to all competitors by the Range Officer.

- (a) Under certain circumstances, the Range Officer may grant additional time to the competitor. (See Rule 9.6.)
- (b) Muzzle Loading shooters may be granted up to ten (10) additional minutes.

## 9. COMPETITION REGULATIONS

**9.1 Changing Rifles** - Unless otherwise provided in the program, no competitor will change his rifle during the firing of any single stage, multiple stage, or aggregate match unless it has become disabled and has been so designated by the Chief Range Officer. For the purpose of this Rule, the firing of a match is considered to have started when the competitor has fired his first record shot or his first sighting shot, if sighters are permitted. Claim that a rifle is disabled must be made immediately. All shots fired up to the time that the claim is made will stand as part of the official score. (See Rules 10.9 and 10.9.1.)

**9.1.1 Voluntarily Changing Rifles** - If at any time a competitor wishes to change rifles, he may do so before the start of a stage or match. It is the responsibility of the competitor to notify his score keeper and a Range Officer that he has changed rifles. His scores for previously fired matches in the aggregate in which the rifle is changed will be disallowed in that aggregate. Previously fired individual match scores will stand, but will not be counted as a part of the aggregate score. That aggregate will be noted on the scoreboard and in the results bulletin as a "Disallowed Score, Rule 9.1.1".

**9.2 - Sighting and Record Shots** - At distances of 100, up to and including 600 yards, all competitors will be allowed up to four sighting shots per stage of the match prior to firing for record. Unlimited sighting shots will be allowed at distances over 600 yards. The competitor must announce to their scorekeeper when they are going for record. No sighting shots may be taken after a competitor has fired his first record shot. Once the relay or match begins, the shooter has only that particular relay in which to fire the appropriate number of record shots, regardless of the number of sighting shots taken.

**9.2.1 International Sighter and Record Shots** - A maximum of five sighters may be taken, of which only three may be converted to scoring shots. The converted sighters may only be taken in sequence in reverse order of firing.

*The first shot which strikes the target will be considered the first sighting shot.*

### 9.3 - Blank

**9.4 Defective Cartridge** - A defective cartridge is one that will not fire or will not extract from the chamber. Additional time may be given to a competitor to clear any defective cartridge.

**9.5 Disabled Rifle** - A disabled rifle is one:

- (a) that cannot be safely aimed or fired.
- (b) that has suffered damage so it cannot be fired or will not function properly.
- (c) that has suffered the loss of a sight or damage to the sights.

The fact that sights are improperly adjusted does not constitute a disabled rifle. A rifle once declared disabled by the Range Officer must not be used for competitive firing until the defect has been corrected and until the rifle has been ruled safe by the Chief Range Officer.

**9.6 Malfunctions and Extra Time** - Shooters experiencing equipment difficulties should make sure the Scorekeeper or Range Officer is immediately informed and not wait until the end of the relay. Allowances will be made by the Range Officer, after consultation with the Scorekeeper, for mechanical malfunctions of rifles, target scoring and unsafe or inclement weather or light conditions. With the approval of the Range Officer, shooters experiencing approved difficulties will be allowed a reasonable amount of time to correct the problem. The amount of "reasonable time" shall be at the discretion of the Range Officer. The shooter will then be given an appropriate amount of time during the next available relay that there is an open firing point to complete the record shots. The amount of "appropriate" time shall be equal to the pro-rata amount of time allowed, per record shot, in the previous relay times the number of record shots that need to be fired to complete the target. If a disabled rifle is replaced, two additional sighters and 6 additional minutes shall be given.

For example, if the relay is 30 minutes for 10 record shots and the shooter completed 7 of 10 record shots before the malfunction was approved, the remaining time allowed would be 9 minutes (3 shots time 3 minutes

each).

**9.6.1 Removal of Malfunctioning Rifle** - A rifle which repeatedly malfunctions may be removed from the range at the discretion of the Range Officer, Referee or Match Director.

**9.7 - 9.8 - Blank**

**9.9 Competitor's Position** -

- (a) Competitors must take their positions at the numbered firing points in such a manner so as not to interfere with competitors on either side. No portion of the shooter's body may rest upon or touch the ground in advance of the firing line.
- (b) When two (2) or three (3) shooters share a firing point (pair firing, see Rule 11.6.7 (b)), they shall divide the space between the number markers as equally as possible.

**9.10 Coaching Allowed in Individual Matches** - Coaching is allowed in all individual matches of an NRA Approved or Registered Tournament. The coach does not have to be a competitor in the tournament. Only one coach per shooter is permitted. The coach is permitted to receive shot location information (on shots not striking the paper) from the pits and relay it to the shooter. The coach may not touch the shooter or the shooter's equipment between the "commence fire" command and the "cease fire" command.

**9.10.1 Coaching in International Style Matches** - Individual coaching is permitted until the first sighting shot has struck the target. The coach is permitted to receive shot location information (on shots not striking the paper) from the pits and relay it to the shooter.

**9.10.2 Spectators** - Spectators are interested parties but not the designated coach.

- (a) Spectators may use spotting scopes but may not convey shot value or placement to the competitor in any manner.
- (b) Competitors who have received messages, signals or any other communication from a spectator may be disqualified by the recommendation of the Jury.

**9.11 Matches Not Completed** - When a match or stage is not completed by all competitors in accordance with the tournament schedule, the match or stage may be rescheduled or canceled. Any match or stage which has been completed by all competitors will not be refired. Only scores of a match or stage which has been completed will be included in an aggregate event or for National Record purposes, and a match or stage is not completed unless all competitors have fired.

**9.12 - Blank**

**9.13 Interference** - With the exception of competitors actually firing and such range personnel as may be necessary, the firing points and firing line must be kept clear of other persons during firing.

**9.13.1 Interference with Targets** - Competitors will not be permitted to interfere with the handling of targets by range personnel. Competitors shall not touch their targets after they have been fired until final score determination of the target has been made. Final score determination is not reached until all challenges have been settled.

**9.14 Refiring** - No competitor will fire more than one score for the same award except as provided in the program or in accordance with Rule 9.11 or Rule 1.7 (I).

*Note: The above provisions do not restrict refiring as permitted under rules applying to excessive hits, the range procedure, etc.*

**9.15 Score Cards must be Signed** - The competitor and the scorer will sign the score card in accordance with Rule 14.3.1 and Rule 18.14.

**9.16 - 9.22 - Blank**

**9.23 Aliases** - No competitor may fire under an assumed name nor may he substitute for another in a match; register, enter, or fire using the name of another.

**9.24 Score and Classification Falsification** - No competitor will falsify his score or classification, nor that of any competitor, or be an accessory thereto.

**9.25 Crossfires and Excessive Hits** - No competitor will deliberately fire on the wrong target nor fire more than the required number of shots, including hits and misses, on another competitor's target. (See Rule 14.10.)

**9.26 Bribery** - No person will offer, or be an accessory to, a bribe of any kind to any of the range or statistical personnel or others, nor be an accessory thereto.

**9.27 Disorderly Conduct** - Disorderly conduct or intoxication is strictly prohibited on the range and anyone guilty of same will be immediately expelled from the range. Expelled competitors will also be disqualified from the competition with forfeiture of all entry fees and awards.

**9.27.1 Willful Destruction of Range Equipment** - No competitor shall cause any range equipment to become damaged through a deliberate act, and anyone guilty of same will be expelled without a warning from the range. Expelled competitors will be disqualified from the competition with no return of entry fees.

**9.28 Refusal to Obey** - No person will refuse to obey instructions of the Match Director, Official Referee, Jury, Supervisor, Range Officers or any other officer of the tournament, if the instructions are given in the proper conduct of the office.

**9.29 Evasion of Rules** - No competitor will evade or attempt to evade nor be an accessory to the evasion of any of the conditions of a match as prescribed in the tournament program or in these Rules. Refusal of a competitor or tournament official to give testimony regarding facts known concerning violations or attempted violations of these Rules will constitute being an accessory to the violation or attempted violation.

**9.30 Disqualification** - The Official Referee, Jury, Supervisor or Match Director, upon proper presentation of evidence, may disqualify or order the expulsion of any competitor from the range for violations of rules or for other conduct considered discreditable or unsafe. Flagrant or Safety violations will result in the loss of all entry fees and awards at the discretion of the Jury. In the event of a disagreement between Match Officials, the decision of the Official Referee or Jury shall prevail with recourse only to the Protest Committee.

**9.30.1 Method for Disqualification** - In case of infringement and contravention of the rules and regulations or of the instructions of Range Officers, the following penalties shall be imposed upon the competitor by the Match Director or Jury in the following order:

1. Warning

2. Disqualification

(a) A warning must be given so that the competitor may have the opportunity to correct the fault. In case of a serious violation of safety rules or regulations, the Match Director or Jury has the authority to impose immediate disqualification.

(b) A warning to the competitor must be expressed in such terms as will leave no doubt that it is an official warning. A Warning to the competitor, whenever it is possible, should be given so as not to disturb the competitor while firing a shot, unless the infringement concerns safety, in which case the competitor shall be warned immediately.

(c) For a repeated infringement, the competitor will be disqualified.

**9.31 Suspension** - For violations of these Rules deemed to so justify, any competitor may be suspended from competition and/or expelled from the National Rifle Association upon presentation of evidence and conduct of a hearing as prescribed in the Bylaws.

In as much as the commission of any of the forgoing offences, Rule 9.23 through 9.29, are of such importance as to be major offenses, all of the forgoing that may merit action under Rule 9.31, shall be sent to the NRA Protest

Committee. The complaint shall be in writing, notarized and signed by the complainant.

## 10. RANGE COMMANDS, CONTROL AND OPERATIONS

**10.1 Discipline** - The safety of competitors, range personnel and spectators requires everyone's continuous attention and self-discipline to the careful handling of firearms both on and off the firing line and when moving about the range. Where such attention or self-discipline is lacking it is the duty of the range personnel to enforce discipline and it is the duty of competitors to assist in such enforcement. Under no circumstances shall firing commence or continue on a range where an unsafe condition exists.

**10.1.1 Shooting Rules** - Extreme caution must be taken to ensure that all powder containers are kept tightly closed, except when actually loading, and there is no smoking on or near the firing line. Muzzle loading shooters must use a single charge powder container to pour powder into the bore. Pouring powder directly into the bore from a powder can, flask or horn is forbidden.

- (a) If a relay is stopped due to weather, range failure, intrusion or other hindrance, the relay timing will be resumed where it stopped and then continued for the remaining time once stoppage is cleared.
- (b) Offset blow tubes may be used from the breech or from the muzzle of any breech loader. Under no circumstances will a competitor blow down the barrel without the use of an offset blow tube.
- (c) Adjusting a wind gauge front sight may be done from the muzzle end only when the breech is open or the muzzle loader is not loaded. The sight may be adjusted from the rear only when the gun is not cocked or capped.

**10.1.2 Unloaded Firearms** - Muzzle loading or cartridge firearms will not be loaded until the command "**Commence Loading and Firing**" has been given. (*Any questions on muzzle loaders see NRA Muzzle Loading Rifle, Pistol and Shotgun Rules*)

**10.1.3 Loaded Firearms** - A firearm that has a round in the chamber or a charge in the barrel shall be considered loaded. All firearms are to be carried to and from the firing line with the muzzles in a vertical position. Once on the firing line, all loaded firearms shall be pointed in the direction of the targets at all times.  
*Note: Do not place the muzzle of the rifle on your toe while loading or when loaded.*

**10.1.4 Cease Firing** - Any person must immediately command "**CEASE FIRING**" if any incident occurs which indicates possible injury to some living thing should firing continue. In all other cases this command will originate with the Chief Range Officer. (See Rule 10.7, 18.10.)

**10.1.5 Not Ready** - It is the duty of competitors to notify the Range Officer if not ready to fire at the time the Chief Range Officer asks "**IS THE LINE READY?**" Should the Chief Range Officer cause firing to proceed, the competitor concerned will be given an opportunity to fire his score in the earliest possible relay or by time extension in his relay. Failure of a competitor to notify the Range Officer that he is not ready forfeits his right to fire.

**10.2 Loud Language** - Loud or abusive language will not be permitted. Competitors, scorers and Range Officers will limit their conversation directly behind the firing line to official business.

**10.2.1 Smoking** - There shall be absolutely no smoking of any tobacco product forward of the spectator area.

- (a) No flame, such as that from a carbide lamp, to blacken sights will be permitted in the loading area or on the firing line.

**10.3 Delaying a Match** - No competitor may delay the start of a match through tardiness in reporting or undue delay in preparing to fire.

**10.3.1 Preparation Period** - In all cases competitors will be allowed 3 minutes to take their places at their firing points and prepare to fire after the relay is called to the firing line. Only dry firing will be permitted during this period. Muzzle loaders may snap caps.

**10.3.2 Interruption of Fire** - When firing is interrupted by some occurrence which renders it impossible for one or more competitors to complete firing under the conditions of the match, the Chief Range Officer will proceed as follows:

- (a) Time will be stopped and a note made of the remaining time.
- (b) Cause of termination of time to be remedied.
- (c) Inform the competitor of the remaining time. Any other sighting shots must be done in the remaining time.
- (d) It will be the decision of the Chief Range Officer to allow any other sighting shots.
- (e) If the stoppage of fire exceeds 10 minutes additional sighters will be given with additional time allowed, up to two minutes per sighter.
- (f) If the stoppage of fire exceeds 30 minutes, four additional sighters will be given.

**10.4 Policing Range** - It is the duty of competitors to police the firing points after the completion of each match or stage. The Range Officer will supervise this and see that the firing points are kept clean.

**10.5 Competitors Will Score** -Competitors will act as scorers when required to do so by the Match Director or Chief Range Officer, except that competitors will not score their own targets.

**10.6 Repeating Commands** - A Range Officer will repeat the Chief Range Officer's commands only when they cannot be clearly heard by all competitors.

**10.7 Firing Line Procedures and Commands** - (In all cases in which the term "Chief Range Officer" is used, it shall be understood that the Chief Range Officer may designate another person to perform the task indicated, for the purposes of this Rule.) When ready to start a match, the Chief Range Officer commands, "**RELAY NO. 1 MATCH NO. (or naming the match) ON THE FIRING LINE, BRING YOUR EQUIPMENT TO THE LINE WITHOUT YOUR RIFLES.**" Allow up to ten (10) minutes for competitors take their places at their firing points. The Chief Range Officer states, "**THE PREPARATION PERIOD STARTS NOW, BRING YOUR RIFLES TO THE LINE. MUZZLE LOADERS MAY SNAP CAPS.**" Range Officers check competitors as to correct relay and firing point numbers. At the end of the Preparation Period, the Chief Range Officer states, "**THE PREPARATION PERIOD HAS ENDED.**" (Rule 10.3.1)

After seeing that the range is clear and the competitors are ready, the Chief Range Officer proceeds with the firing commands:

**"IS THE LINE READY?"** Any competitor who is not ready, or whose target is not ready, will raise his arm and call "Not ready on target number \_\_\_\_." A Range Officer investigates and either assists the competitor to correct the cause of the delay, or removes the competitor from the firing line so as not to delay the start of firing. If after a competitor answers as prescribed as to being not ready, and does not fire any shots when the targets appear he shall be allowed additional time. A competitor's failure to make the prescribed "Not Ready" answer, forfeits his right to these allowances.

Following the question, "**IS THE LINE READY?**", the Chief Range Officer will state, "**THE LINE IS READY**" or "**THE LINE IS NOT READY**", as appropriate. If the line is not ready, after appropriate time he will again ask, "**IS THE LINE READY?**", again followed by, "**THE LINE IS READY**" or "**THE LINE IS NOT READY.**"

After "**THE LINE IS READY**" has been stated, the Chief Range Officer gives the following sequence of preparatory commands, stopped only by sudden inability of the range to operate properly or by safety considerations: "**READY ON THE RIGHT,**" "**READY ON THE LEFT,**" and "**READY ON THE FIRING LINE.**" There should be approximately a 3 second interval between these commands.

**"READY ON THE FIRING LINE"** means the range is ready to operate and the targets are about to be exposed or the signal to commence loading and firing is about to be given.

**"YOU MAY COMMENCE LOADING AND FIRING,"** when your target appears, you have \_\_\_\_ minutes.

**"FIVE MINUTES REMAINING"** will be stated by the Chief Range Officer when there are five minutes remaining in the relay.

**"CEASE FIRING"** will be signaled (a) by removing the targets from view, (b) verbally, or (c) by two long blasts



on a whistle. After the cease firing command has been given, no shots may be fired into a record target. All cartridge firearm competitors will unload their firearms and the actions will remain open. Any muzzle loading firearm competitor on the firing line who has a powder charge in their firearm will notify a Range Officer and upon the command “**DISCHARGE ALL LOADED FIREARMS INTO THE BACKSTOP**” will safely fire the loaded firearm into the impact area. On the Range Officers command, one percussion cap is to be fired on muzzle loading rifles prior to the competitor retiring from the firing line. “**IS THE LINE CLEAR?**” This means all firearms on the line are unloaded. Upon receiving confirmation from the line officers that all firearms are clear, say “**THE LINE IS CLEAR. YOU MAY MOVE OUT OF POSITION. REMOVE YOUR EQUIPMENT FROM THE LINE AND POLICE YOUR FIRING POINT.**” (See Rule 10.1.4, 18.10.)

In the event of any emergency requiring a cease fire, a Range Officer may give the command “**CEASE FIRE.**” This command may be accompanied by moving the targets out of view, or by a blast on a whistle or other signaling device, or both. Competitors must cease firing immediately when the command “**CEASE FIRE**” is given and open the actions of their firearms. Muzzle loading rifle competitors must point the muzzles of their firearms in a safe upright position and all competitors should await further commands from the Chief Range Officer.

“**AS YOU WERE**”, means to disregard the command just given (regardless of what it might have been) and return to the status immediately preceding the “**AS YOU WERE**” command.

“**CARRY ON**” means to proceed with whatever was being done before some interruption occurred.

**10.7.1 Range Alibis** - Refires are allowed through faulty or improper range procedure, such as:

- (a) Withdrawn target (Rule 10.16);
- (b) Incorrect time allowances (Rule 8.2);
- (c) Incorrect range commands (failure of targets to appear within the specified time limit (Rule 10.7);
- (d) Any other condition of improper or faulty range procedures which penalizes competitors.

**10.8 Pit Procedures and Commands** - The Pit Officer, at the discretion of the Chief Range Officer, shall control the position of the targets by using the following procedures and commands: (In all cases in which the term “Pit Officer” is used, it shall be understood that the Pit Officer may designate another person to perform the task indicated, for the purposes of this Rule.)

Prior to starting the match, the Pit Officer shall review with the pit personnel the procedures and commands that will be utilized.

The Pit Officer shall review the course of fire with the pit personnel prior to each string of fire and inform them which course is about to be fired. For example, “**THIS WILL BE A \_\_\_ MINUTE STRING OF \_\_\_ ROUNDS. THE TARGET MUST BE PULLED AND MARKED AFTER EACH SHOT.**”

When all targets and pit personnel are ready, give the command: “**HALF MAST ALL TARGETS**” and notify the Chief Range Officer by saying “**READY IN THE PITS**”. (When a target is at half mast, it is approximately halfway up between the bottom and top of the carrier’s travel. In this position, the upper portions of all targets should be visible from the firing line.)

The targets should be raised and lowered for the starting and ending of each preparation period and/or string of fire by using the following commands: “**STAND BY YOUR TARGETS**”. (This command will be given in the pits in sufficient time to allow the firing line commands to be completed.) At this time, the Chief Pit Officer will repeat all firing line commands to the pit personnel as they are given by the Chief Range Officer. When the command, “**READY ON THE FIRING LINE**” is given, the Pit Officer will give the command, “**TARGETS....UP**” within 5 seconds. Targets must be fully exposed for the full time specified for that course of fire.

*NOTE: To time, start the stopwatch when the targets are fully exposed (at the top of the travel of the target carriers) and stop the stopwatch when the targets start to move to be withdrawn into the pits. In strings where competitors sometimes complete the course of fire prior to the expiration of the allowed time, the Chief Range Officer may command that the targets be withdrawn before the full time allowed has expired.*

Prior to the end of the prescribed period of time for the string (approximately 15 seconds), the Chief Pit Officer will give the command, “**STAND BY YOUR TARGETS**”, and at the end of the allowed firing time, he will give the command, “**TARGETS....DOWN**”. (The targets are to be moved only on the portion of the command “**UP**” or “**DOWN**”. The words “**UP**” or “**DOWN**” are the operable portions of the command. The word “**DOWN**” must be given at the precise second of the end of the string.)

**10.9. Procedure in Case of a Malfunction With a Cartridge Rifle** - If a rifle fails to function, the competitor will call the Range Officer. The Range Officer, when satisfied that there is a disabled rifle (Rule 9.5) will permit the competitor to restore the rifle to firing order and continue firing. Additional time may be allowed such competitor, equal to the time lost. (For refiring privileges see Rule 9.14.) If the disability lasts longer than five minutes or if the disabled rifle was replaced, three additional minutes for sighters will be given, timed separately from any remaining time allowed.

**10.9.1 Procedure in Case of a Malfunction With a Muzzle Loading Rifle; Clearing Misfires** - If a muzzle loading rifle fails to function, the competitor will call the Range Officer. The Range Officer, when satisfied that there is a disabled rifle (Rule 9.5) will permit the competitor to restore the rifle to firing order and continue firing. Additional time may be allowed such competitor, equal to the time lost. (For refiring privileges see Rule 9.14.) It is not required that the Range Officer attempt to fire a muzzle loading rifle before it is declared defective. If the disability lasts longer than five minutes or if the disabled rifle was replaced, three additional minutes for sighters will be given, timed separately from any remaining time allowed.

*Note: Extreme caution must be used, including reasonable care to inform neighboring shooters, during the clearing of misfires. Any clearing of a misfire must be announced in advance to the Range Officer and then performed in such a manner that there is no danger to persons or property.*

**10.9.2 Procedure in case of a mis-load with a Muzzle Loading Rifle** - If a competitor recognizes that a misload has occurred he may notify his scorer and discharge his rifle down range without penalty. If a competitor fires a mis-loaded rifle at the target he will accept the resulting score. (See Rule 14.6).

## **10.10 - Blank**

**10.11 Pit Discipline** - Pit personnel will be instructed in their duties and safety precautions by the Chief Pit Officer under the direction of the Match Director, and will at all times conduct themselves in a safe and orderly manner in complying with those instructions.

**10.12 Half-Mast Targets** - When targets are mounted in the carriers they will be elevated so that only the top half of the target is exposed over the parapet. This is known as placing the targets at “half-mast.”

**10.13 Ready in Target Pits** - When all targets which are to be used for the firing of a particular match have been mounted at half-mast and pit personnel are ready, the chief Pit Officer will notify the Chief Range Officer, “**READY IN THE PITS**”.

**10.14 Slow Target Operation** - If a competitor feels that the operation of his target is so slow as to interfere with his ability to complete his score within the specified time, it is the duty of the competitor to call the situation to the attention of the Range Officer. The Range Officer will personally check the operation of the target and if the complaint is justified, will allow the competitor such additional time as is indicated by the facts. (Normal time required from the firing of a shot until the target is ready again will average 15 to 18 seconds.)

**10.15 Telephone Messages** - Messages between the firing line and the pit area will be limited to official matters. Requests such as to mark, or to place or reverse spotters, may be handled by telephone operators. Information on rifle calibers, which could affect scores, or requests to correct or speed up service on a target will be transmitted only by a Range Officer to a Pit Officer. The following standard messages are to be used as stated, for the indicated purposes; Scorers, Range and Pit Officers, telephone operators, and pit markers must know these messages and their meanings.

“**MARK TARGET NO. \_\_\_**” - means pull the target, spot the shot hole and signal the value of the shot. (This message is used when a shot has been fired but the target has not been pulled within a reasonable length of time.)

“**DISK (or RE-DISK) TARGET NO. \_\_\_**” - means to signal or resignal the value(s) of the last shot on the target

when the value is uncertain.

**“PLACE A SPOTTER IN TARGET NO. \_\_\_”** - means to pull the target and place a spotter in the last hole. (Do not paste the shot hole. This message is used when the pit operator has neglected to put a spotter in the last shot hole.)

**REVERSE THE SPOTTER IN TARGET NO. \_\_\_** - This message is used when the pit operator has inserted the spotter with the wrong side showing.

**“THERE IS A CHALLENGE ON TARGET NO. \_\_\_”** - means that the Pit Officer in person must pull the target, examine it with the greatest care and personally signal the value of the last shot after the target has been run up. (This message is used when the competitor has paid his challenge fee to the Range Officer in order to have his target re-examined by the Pit Officer personally.) (See Rule 16.1 (d).)

**10.16 Withdrawn Targets** - If a target is withdrawn before the end of the allotted time, the competitor concerned may complain (through the Scorer, when assigned, who will report the complaint together with his own information concerning the incident) to the Range Officer. If satisfied that incorrect target operation occurred, the Range Officer will direct that the shot concerned be pasted and disregarded. The competitor will fire another shot, and additional time will be allowed to compensate for the time lost.

## 11. TOURNAMENT OFFICIALS

**Tournament Officials** - Officials will be thoroughly familiar with conditions of the program and with National Rifle Association Rules. Officials may compete in Approved, Registered, State and Regional Tournaments. National Championship match officials may not compete.

**11.1 Match Director** - The Match Director is the official primarily responsible for the efficient conduct of the entire tournament. He may change match and firing conditions from those shown in the program, provided a Match Director's Bulletin is posted for the information of all competitors, and that such changes are not contrary to NRA rules. The Match Director is also directly responsible for the efficient operation of the range and Statistical Office and for the safety and proper discipline of all tournament operating personnel, competitors and spectators. Instructions from the Match Director for the operation of the tournament must be complied with by all persons on the range. The Match Director will use the best possible judgement at all times. His behavior and decisions must be characterized by absolute impartiality, firmness, courtesy and complete awareness. In the application of these rules the Match Director will confer with the NRA Official Referee or Jury on any doubtful point and will be guided by the Official Referee's or Jury's recommendations. The Match Director may disqualify a competitor(s) under provisions of Rule 9.30.

**11.1.1 Deputy Match Director** - The Deputy Match Director, when appointed, is responsible to the Match Director for the efficient conduct of the entire tournament and acts for the Match Director in all matters listed in Rule 11.1. A Deputy Match Director is appointed at the discretion of the sponsor.

**11.2 Official Referee** - An Official Referee may be assigned at all NRA Sanctioned State, Sectional, Regional and National Championships. Assignments are made from the Headquarters of the National Rifle Association. The NRA Official Referee is not an administrative or operating official and is not responsible for the behavior or efficiency of either range or statistical office personnel. It is the responsibility of the Referee to properly interpret and apply all National Rifle Association Rules. The Official Referee's decisions is final in scoring of challenged targets except when scoring in the pit and at National Championships. He will not score except when called on to rule on challenges. It is the Referee's duty to rule on all protests and challenges. Except in an emergency involving the safety of personnel or property, the Referee will not give instruction directly to tournament operating personnel, but will give all such instructions through the Match Director. In the event of a disagreement between Match Officials, the Official Referee shall prevail with recourse only to the Protest Committee. The NRA Official Referee may not change the NRA rules as printed herein or as officially amended. It is the duty of the Referee to render a complete report to the National Rifle Association covering all phases of the tournament. The Referee may disqualify all or any portion of the score, if, in the Referee's opinion the conditions warrant such action. A report will be submitted on any Tournament Official who refuses to accept proper instructions given by the Official Referee. After a full hearing is held by the Protest Committee on such a report the Association may:

- (a) Warn, suspend or bar anyone from serving or competing in NRA competition.
- (b) Warn, suspend or cancel the Certificate of the Official Referee.
- (c) Refuse to accept for registration or approval any further tournament conducted on the same range or by the same organization until the unsatisfactory condition reported by the Official Referee has been corrected.

An Official Referee may not compete in any match fired in the conjunction with any tournament where he is officiating as the Official Referee.

**11.2.1 Jury** - In all Approved or Registered Tournaments where no Official or Registered Referee is assigned, a 3-member Jury will be formed by the Match Director to function as described in Rule 11.2. One member of the Jury must be a member of the sponsoring organization and complete the reports required by NRA. The members of the Jury may or may not be competitors in that tournament. A Jury member shall be exempted from ruling on a matter in which personally involved and the Match Director will name a replacement for that Jury member while ruling on that action. Under no circumstances may any Match Official (Rules 11.1, 11.1.1, 11.4, 11.5, 11.6 and 11.7) be a member of the Jury. The Jury Chairman may disqualify a competitor(s), as directed by the Jury, under provisions of Rule 9.30.

### 11.3 - Blank

**11.4 Range Director** - When appointed, the Range Director and Deputy Range Director are responsible to the Match Director, and have supervisory responsibility for the Chief Range Officers and for the efficient and safe operation of the ranges. Appointment of a Range Director and Deputy Range Director is authorized when multiple ranges are in operation.

**11.4.1 Chief Range Officer** -The Chief Range Officer will have full charge of the range and will conduct the matches following the schedule approved by the Match Director. He is also responsible for range safety and for enforcing all rules.

**11.5 Range Officers** - Each Range Officer is an assistant to the Chief Range Officer; competitors may be assigned this duty. The Range Officer is responsible for the safety and discipline of range personnel, competitors and spectators in the sector of the range to which assigned. The Range Officer shall supervise the scoring procedure and is responsible for ensuring that the competitor's equipment and positions are as authorized for the match being fired. It is the Range Officer's duty to be completely familiar with the program and with the National Rifle Association rules. The Range Officer must comply, to the best of his ability, with all instructions issued by the Match Director or Chief Range Officer and will render all possible cooperation to other officials. He must be constantly alert, impartial in handling competitors and courteous though firm.

**11.6 Statistical Officer** - The Chief Statistical Officer is in charge of all statistical work in connection with the match except the actual recording of scores when this is done on the range. The Statistical Officer is directly responsible to the Match Director and is assisted by such assistant Statistical Officers as may be required.

**11.6.1 Duties of Office** - It is the duty of the Statistical Office to:

- (a) Register competitors and check their eligibility and classification.
- (b) Accept match entries.
- (c) Prepare, post and maintain a current list of competitors showing names, competitor numbers and classifications.
- (d) Squad competitors and prepare range assignment cards when such cards are used.
- (e) Prepare official scorecards.
- (f) Confirm the addition and totals on scorecards.
- (g) Tabulate scores in order of merit.
- (h) Prepare Preliminary and Official Bulletins.
- (i) Maintain an Official Bulletin Board.
- (j) Determine winners and distribute awards.
- (k) Report any irregularities in firing or scoring which may be indicated by squadding records or scorecards to the Match Director, NRA Official Referee, Jury Chairman or Supervisor for appropriate disciplinary action.
- (l) Make required reports to NRA within specified time.

**11.6.2 Retention of Records** - The Statistical Office will retain in good order all completed official scorecards for 30 days and all fired targets (except those scored on frames) until the expiration of the time allowed for challenges and protests.

**11.6.3 Preliminary Bulletins** - Preliminary bulletins on all matches will be posted promptly and remain on the Official Bulletin Board for a reasonable length of time to allow competitors to notify the Statistical Officer of apparent errors. The challenge closing time will be stated in each bulletin. However, where a bulletin board is used and all scores of competitors are copied thereon, such will be accepted in lieu of the above, provided a notice appears as to the close of challenge time.

**11.6.4 Official Bulletins** - Official Bulletins will be posted on the Official Bulletin Board. However, in the procedure outlined in Rule 11.6.3 for bulletin boards, such scores shall be acceptable and become final after the expiration of the challenge time period and shall act as an Official Bulletin.

**11.6.5 Correction of Bulletin Errors** - The Statistical Office will correct errors which come to the attention of the office prior to publication of the Official Bulletin.

**11.6.6 Changing Official Bulletin** - No Official Bulletin shall be changed except on authority of the Match Director, Official Referee, Jury or Supervisor granted before the time has expired for challenging the last of the preliminary bulletins required to cover all the scheduled events. Subsequent changes by the Match Director, Official Referee or Supervisor requesting changes, are limited to the correction of:

- (a) Typographical errors.
- (b) Aggregate bulletins on which total score does not agree with scores shown on the Official Bulletins for the matches comprising the aggregate.
- (c) An error made by not following the program schedule of awards.
- (d) Errors in classification of competitors, the competitor having been previously advised of such error and correct classification.
- (e) Disqualification of competitors as provided in Rule 9.35.

**11.6.7 Individual Squadding:**

- (a) Where advance entries are received, squadding for all matches may be made in advance. Competitors may be squadded so they move a predetermined distance along the firing line after each match. They may be squadded as to class, but wherever practical, all of a class should fire on the same relay. Where post entries are received, they may be squadded as fill-ins to the above. Squadding of classes together will be permitted as outlined above.
- (b) Pair Firing - Individual matches - two (2) or three (3) competitors may be placed on one firing point, alternating shots with the right hand shooter shooting first. Scoring is done by the shooter who will be last to shoot in rotation. Any shot fired out of sequence will be scored as a miss. In the event of a disabled rifle (Rule 9.5) shots may be fired out of sequence.

**11.6.8 Team Squadding**

- (a) All team matches will be squadded with one, or two, adjacent ,target(s) assigned to each team and where possible all teams will fire concurrently. When enough targets are available, more than two adjacent targets may be assigned each team, but only when all teams can be squadded so as to fire concurrently. Coaching within the team is permitted in team matches. Therefore, not more than two adjacent targets will be assigned to each team unless all Team Captains indicate their willingness to use more than two targets.
- (b) The team time allowance is computed according to Rule 8.3. The Team Captain may nevertheless elect to fire singly or by pairs within that allowance. In pair firing, the shooter on the right fires first and the shooters proceed to fire alternately. Any shot fired out of sequence will be scored as a miss. In the event of a disabled rifle (Rule 9.5) shots may be fired out of sequence.
- (c) Team targets may be assigned by the Statistical Officer or drawn by chance by the Team Captains under the supervision of the Statistical Officer or Chief Range Officer.

Team scorecards will show the names of the team, team officials and each firing member and alternate.

Except in matches where the targets have been marked with the competitor's name or number, a Team Captain may assign team members to team targets in such order as desired and may change the order of firing between stages.

**11.6.10 Range Assignment Cards** - When used, range assignment cards are prepared by the Statistical Office and delivered to the Range Officers prior to each match. Range Officers will check competitors on the firing line to verify that each is on the proper firing point indicated by the range assignment card. Should any reassignment of competitors be necessary on the firing line, Range Officers will carefully note such reassignments in the space provided on the range assignment card. These cards will be returned to the Statistical Office immediately upon the conclusion of each relay.

**11.7 Pit Officer** -The targets and frames are the responsibility of the Chief Pit Officer and such assistant Pit Officers as may be required. Pit Officers report to the Chief Range Officer. The Pit Officer is responsible for the safety and discipline of personnel engaged in the handling of targets, for the maintenance of targets in proper operating condition and for efficient mounting and dismounting of paper targets during the progress of the match. When targets are framed by the competitor, it is the competitor's responsibility to frame the correct target for the range/match being fired.

**11.8 National Championship Protest Committee** - A National Championship Protest Committee may be appointed by the Match Director of any NRA National Championship. When such a Championship Protest Committee is appointed, that Committee's decisions on Protests at that Championship are final, without appeal to the NRA Protest Committee. When a case of potential suspension from competition arises from an incident or incidents in a Championship, the Championship Protest Committee may not act, but must forward a recommendation to the NRA Protest Committee for action.

Time frames for the submission of Protests listed in Rule 16.3(c), (d) and (e) may be modified during National Championships at the discretion of the Match Director, provided that notice is published either by means of the Championship Program or by the way of the Match Director's Bulletin. (See Rule 16.2.1.)

**11.9 Duty to Competitors** - It shall be the duty of all operating officials and personnel to properly conduct themselves by being fair and impartial to all in carrying out their various duties. No official shall molest a competitor or allow such practice by another official or competitors. Should a competitor's equipment or demeanor warrant disqualification for an individual match or tournament, it should be done in such a manner to cause the least inconvenience to all concerned. In so doing, the official should state to the competitor the rule or section of rules under which the disqualification is being made.

## 12. TEAM OFFICER'S DUTIES AND POSITION

**12.1 Team Captain** - Each team must have a designated Team Captain. He is responsible for maintaining discipline within the team squad. The Team Captain will at all times cooperate with the officials of the tournament in the interests of safety, efficiency and good sportsmanship. A Team Captain is responsible for all the duties of members of the team. It is the Team Captain's responsibility to:

- (a) Be familiar with the program.
- (b) Make proper entries.
- (c) Enter all required data on team scorecards.
- (d) Have team members report at proper firing points at the assigned time, ready to fire.
- (e) Verify scores, sign scorecards and make challenges.
- (f) Review preliminary and Official Bulletin and Match Directors Bulletins.
- (g) Lodge protests.
- (h) Collect awards.

**12.2 Team Coach** - The Team Coach is the Team Captain's deputy performing such duties as the Captain may assign. The Coach serves as Team Captain in the absence of the latter, and under such circumstances becomes responsible for maintaining discipline within the team and for all other responsibilities of the Team Captain.

**12.3 Team Entries** - In team matches the team officers, all firing members of the team and alternate firing members, if allowed by the match conditions and provided by the team, must be named on the entry form before the first shot of the match is fired. If the Team Captain or Coach is also a firing member, he must be so named. See Rule 2.10.

**12.4 Substitution of Alternates** - If alternates are allowed and have been on the entry form, the Team Captain may substitute an alternate for a firing member at any time before the firing member concerned has fired the first shot of the match (sighting or record), notifying the Scorer and a Range Officer accordingly. After a team member has fired his first shot he may be substituted for only in case of disabling emergencies such as accident or illness, and then only if approved by the Chief Range Officer. All shots fired by the replaced shooter count; the replacement fires only the uncompleted portion of the replaced shooter's course of fire.

**12.5 Team Captain and Coach, Position** - In team matches the Team Captain or Coach will be allowed on the firing line in such position as not to interfere with the proper operation of the range or with any member of another team.

**12.6 Coaching in Team Matches** - Coaching is permitted in all team matches within the team only. The Coach may assist team members by calling shots, maintaining time, verifying scores, ordering sight changes, etc; but must so control his voice and actions as not to disturb other competitors. The Coach can not physically assist in loading, in making sight corrections or be positioned to serve as a windbreak.



### 13. PHYSICALLY DISABLED SHOOTERS

**13.1 Physically Disabled Shooters** - A shooter with a physical disability that cannot fire from one or more of the prescribed shooting positions outlined in these rules, or that must use special equipment when firing is privileged to petition the NRA Protest Committee for permission to assume a special position or to use modified equipment, or both. The petition will be in the form of a written request from the person concerned to the Committee explaining in detail the reasons why the special position or the special equipment must be used. The petition must be accompanied by pictures of the shooter in the position he desires approved and, if special equipment is required, the picture must show how this equipment is used. The petition and all pictures must be furnished in exact duplicate. The petition must be accompanied by a medical doctor's statement if the physical disability or its permanent nature are not completely evident in the picture submitted.

- (a) Each petition will be reviewed by the NRA Protest Committee. The committee may require additional or supplementary statements, medical information, or pictures. After review, the NRA Secretary will be instructed by the committee to issue a special authorization certificate to individuals who submit petitions and pictures which have been approved. Such certificates will have necessary pictures attached.
- (b) Shooters who have received special authorization certificates are required to carry them when competing in competition governed by NRA rules, and to present the certificate when requested by officials of the competition, NRA Official Referees or Supervisors.
- (c) In the event of a protest involving the position or the equipment used by such a shooter, the Official Referee, Jury or Supervisor will compare the questioned position or equipment with the certificate and the photographs presented by the shooter. If the shooter's position or equipment does not, in the opinion of the official, conform to that authorized by the NRA Secretary (or if the shooter cannot present the authorization certificate or pictures), the protest shall be allowed and the shooter will be required to immediately change to the position or equipment which has been approved or to an otherwise legal position or equipment.
- (d) Should a protest be carried beyond the Official Referee, Jury or Supervisor, the original protest must be endorsed by the Referee, Jury Chairman or Supervisor to recount the action taken and then be forwarded to the National Rifle Association.
- (e) National Records may not be established by use of scores fired in special positions or with special equipment as may be authorized according to this rule.
- (f) Two types of authorization are issued; temporary and permanent. Permanent authorizations are issued to competitors who are permanently disabled.

**13.2 Temporary Disability: Substitute Positions** - Any person who has a temporary physical disability, as substantiated by a current written medical opinion, which prevents him from using a specified position as defined in this rule, may assume the next more difficult position in lieu of that position.

In this manner, prone may be used for any, sitting may be used for prone, kneeling may be used for sitting, and standing may be used for kneeling. Any substitute position must conform to the rule which defines it. The Match Director must be informed of the substitute, and may require that the substitute position be demonstrated so he may be certain that it meets the definition of the appropriate rule.

## 14. SCORING AND MARKING

### 14.1 When to Score:

- (a) Before scoring any target, examine it and count the hits to determine whether there are hits of uncertain value requiring gauging (Rule 14.3), possible ricochet hits (Rule 14.8), or conditions possibly requiring application of Rules 14.9 through 14.11. Only a Pit Officer may decide the scoring when these rules apply. If they do not, or if they do and their applicable procedures have been completed, then proceed as in paragraphs (b) or (c) below for each shot credited to the competitor.
- (b) When targets are scored in the pits, score and signal each shot when fired.
- (c) When targets are scored on the frames without pits, score at the end of each target or string.

**14.2 Where to Score** - Targets are scored on the target frames. The scorer must be at the target when scoring.

**14.2.1 Targets as Scorecards** - Targets constitute the scorecard when scored in the Statistical Office and therefore must be retained in good order until the time allowed for filing challenges and protests has expired. (See Rule 9.13.1.)

**14.3 How to Score** - A shot takes the value indicated by the leading edge of the bullet hole, nearest the center of the target. If the edge touches a scoring ring of higher value, it receives the value of that ring. Hits outside the scoring rings are scored as misses. Hits on the wrong bull will be scored as misses for the competitor that fired the shots. When the target crew and scorekeeper cannot determine the origin of multiple hits on a single target, the person that is assigned to that target will receive the value of the higher hit. Key hole shots will be scored. (See Rule 14.8) Shots fired before the command "Commence Firing" or after the command "Cease Firing", will be scored as misses. All close shots shall be judged with the aid of a .45 caliber scoring gauge. Scoring gauge flanges must be between .460" to .461".

See illustration of correct method of scoring

**14.3.1 Scorers' Duties** - Score keepers are required when targets are scored in the pits or on frames . In team matches and individual matches, the score keeper's position will be established so that it will not interfere with any of the shooters, their positions or the placement of their equipment. Upon assuming the duties of a scorekeeper, an individual becomes an official of the match. The Scorer's duties include but are not limited to the following:

- (a) It is the scorer's responsibility, where scorers are present on the firing line, to confirm that the data required on the scorecard are entered and are correct. When a competitor changes rifles in accordance with Rule 9.1, the scorekeeper is responsible for recording that information on the scorecard and to make certain that a Range Officer is notified.
- (b) When targets are scored in the pits, the scorekeeper will enter the value of each shot on the scorecard as signaled, announcing the value to the competitor in this manner: "Mr. Blank's first sighting shot (first shot etc.) is a \_\_\_." After entering all shots of the string, enter the total. If the competitor requests that the shot value not be called out in slow fire, the shooter forfeits the right to challenge the recorded score. (See Rule 16.1.)
- (c) When targets are scored on the frames, enter the value of each shot and the total on the scorecard, announcing the values to the competitor in this manner: "Mr. Blank, 5 tens, 4 nines, 1 eight, total score 94."
- (d) An individual value (X, appropriate arabic value numeral, or M for misses) must be entered for each shot in the separate spaces provided on the scorecard. When targets are scored in the pits, enter the value for each shot in the order in which fired and signaled. When targets are scored in the Statistical Office, record all shots after completion of a string, recording the highest value hits first, then hits of the next highest value, etc. Any shot not individually recorded as here prescribed shall be scored a miss.
- (e) At the conclusion of scoring, the scorer will:

- (1) Enter the total score.
  - (2) Sign the card.
  - (3) Have the competitor (or Team Captain in Team Matches) sign the card.
  - (4) Deliver the scorecard to the Statistical Office via the established means.
- (f) The competitor is responsible for all safety regulations. The scorekeeper will verify that the rifle is unloaded and in a safe condition upon completion of a string of fire and upon the competitor's departure from the firing line.

**14.3.2 Authorized Use of Plug Type Scoring Gauges** - The use of the plug type gauge will be restricted to range operating personnel who may include the Range Officers or Block Officers, Pit Officers, Statistical Director, Match Director, Jury or Referee, as appropriate to the type of tournament concerned. The tournament program should state by whom and under what circumstances plug type scoring gauges may be used.

**14.4 Misses** - Hits outside the scoring rings are scored as misses. In pair firing, shots fired out of sequence are scored as misses. In the event of a disabled rifle (Rule 9.5), shots may be fired out of sequence.

**14.5 Early or Late Shots** - Shots fired early or late, that is, before or after the signal to commence or cease fire, will be scored as misses. When fewer than the required number of hits are visible on the target, the competitor will be scored a miss for each shot not on the target, and those visible on the target will be scored in the normal manner.

**14.6 All Shots Count** - All shots fired by the competitor after declaring he has fired his last sighting shot will be counted, even if accidentally discharged.

*A cartridge rifle firing a charge without a bullet is scored a miss. (See Rule 10.9.2).*

**14.7 Hits on Wrong Target** - Hits on the wrong target are scored as misses. A wrong target is defined as a target other than that:

- (a) Assigned to the firing point upon which the competitor is squadded (assigned).
- (b) Intended to be used for the match, stage and distance in that event concerned.

**14.8 Ricochets** - A hole made by a ricochet bullet does not count as a hit and will be scored as a miss. It must be noted that a bullet which keyholes is not necessarily a ricochet.

**14.9 Visible Hits and Close Groups** - As a general rule, only those hits which are visible will be scored. An exception will be made in the case where the grouping of three or more shots is so close that it is possible for a required shot or shots to have gone through the enlarged hole without leaving a mark and there has been no evidence that a shot or shots have gone elsewhere than through the assigned target. In such case, the shooter will be given the benefit of the doubt and scored hits for the non-visible shots on the assumption they passed through the enlarged hole. If such an assumption would place a non-visible hit in either of two scoring rings, it shall be scored in the higher-valued ring.

**14.10 Excessive Hits** - If more than the required number of hits appear on the target, any shot which can be identified by the appearance of the bullet hole as having been fired by another competitor, other than the competitor assigned to that target, or as having been fired in a previous string, will be pasted and will not be scored, except when:

- (a) A competitor fires fewer than the prescribed number of shots through the competitor's own fault and there should be more hits on the target than the shots fired, the competitor will be scored the number of shots of highest value equal to the number fired, and will be given a miss for each unfired.
- (b) A competitor, by mistake, fires more than the required number of shots, the required number of hits of lowest value will be scored.

- (c) When targets are scored in the pits, if more than one hit appears when the assigned competitor fires, put spotters in all hits, score the hit of highest value, and make no record of all other hit(s).
- (d) When 10 shots are fired before scoring and more than 10 hits appear on a competition target of the same caliber and a target to the right or left has insufficient hits, the 10 hits of the highest value will be scored and make no record of the other hit(s).

**14.11 Scoring Altered Targets** - Targets intentionally altered or marked to benefit a shooter over other competitors will not be scored.

**14.12 Insufficient Hits** -If a competitor fires fewer than the required number of shots through his own fault, he shall be given the score corresponding to the number of shots he fired, and scored a miss for each unfired shot.

#### **14.13 - Blank**

**14.14 Target Puller Responsibilities** - Target pullers are responsible for following the scoring procedures prescribed in this section of the Rulebook and to follow the directions of the Pit Officer. The target puller will pull and mark the target after each shot only after the shot has been visually located on the target unless directed by the Pit Officer. If the target is inadvertently pulled and no visual evidence of a hit can be found, the target puller will remove the spotter scoring discs and paste up the previous shot hole. The target will be returned to the "up" position without a scoring disc. When targets are scored after their removal from the target frames, they are removed by the target detail on the command "**CHANGE TARGETS**" and given to the Statistical Office for official scoring.

**14.14.1** - In very small matches the target puller may also do score recording duties. If this is the case the line must inform the pits when competitors are finished with sighters and are "going for record". In other matches the target puller may record shots to verify their number.

**14.15 Scorecards** - Scorecards must be prepared by the Statistical Officer and delivered to the competitor or to the Range Officers who will check the target assignments of each competitor as he reports at the firing point, then give the scorecards to the Scorer. At the conclusion of each relay, Range Officers will take up the scorecards and deliver them to the Statistical Officer.

**14.16 Erasures on Scorecards** - Erasures on scorecards are not permitted. If a correction is necessary, it must be made and initialled by the Scorer or Range Officer. To make a correction, the Scorer or Range Officer draws a line, or lines, through the incorrect score and places the correct score above.

**14.17 Use of Shot Hole Spotters** - When targets are operated from a pit, shot hole spotters are used to show the location of hits, white spotters for hits in the aiming black and black spotters for hits elsewhere (including hits scored as misses). (See Rule 14.1) A spotter is placed in the first hit, the target exposed and the value signaled, and the target is left exposed for the next shot. As each succeeding shot is fired, the target is withdrawn and the spotter is moved to the new hit. The previous shot hole is covered with a target paster and the target is re-exposed and the new hit value is signaled. In the case of a miss that is off the target, the value marker will be placed to indicate a miss, and when possible, the shot location marker will be placed in the value marker hole at the edge of the target that best describes the direction of the miss. After firing is complete, the target is withdrawn, spotters removed and all shot holes are pasted before the next string. The following spotters will be used:

- (a) A 3 inch spotter for 200 yards through 600 yards. (A1 1/2 inch spotter may be substituted in reduced matches.)
- (b) A 5 inch spotter for all ranges in excess of 600 yards.

**14.18 Signal System for Scoring Targets** - The visual signaling system described below for all Black Powder Target Rifle tournaments when targets are operated from a pit. Value spotters are placed as indicated below on the target frame, all of a highly visible color such as fluorescent orange:

X ..... Bottom left corner  
10 ..... Bottom center  
9 ..... Bottom right corner  
8 ..... Center of right side  
7 ..... Top right corner  
6 ..... Top left corner  
5 ..... Center of left side  
Miss ..... Top Center

## 15. DECISION OF TIES

Note: All tie (same numerical score) ranking Rules shall be applied in the order listed below.

**15.1 Match** - The term "match" as used in this section refers to all individual, team, and aggregate matches.

**15.2 Value of "X"** - In all matches, an X is a hit of highest value.

### 15.3 - Blank

15.4 In all matches, ties will be decided as follows:

- (a) By the greatest number of X's over the course.
- (b) Any tie not decided by the above will be decided:
  - (1) By the highest total numerical score at the longest range or simulated longest range.
  - (2) By the greatest number of X's at the longest range or simulated longest range.
  - (3) By the highest total numerical score at the next longest range or simulated longest range.
  - (4) By the greatest number of X's at the next longest range or simulated longest range.
- (c) In the event the tie is not broken, the scores at each range, in the above order will be ranked:
  - (1) By the greatest number of 10's,
  - (2) By the greatest number of 9's,
  - (3) By the greatest number of 8's, etc., until the tie is broken
  - (4) By the value of hits in inverse order, counting singly from last to first (X's being the hits of highest value).

### 15.5 - 15.8 - Blank

**15.9 Team Matches** - Ties in team matches will be ranked by considering the team score as though it were a single score fired by an individual. The same precedent applies in Rule 15.4.

### 15.10 - Blank

**15.11 Re-Entry Matches** - In re-entry matches, ties will be ranked in the following order:

- (a) By considering as a unit the total score fired on all targets comprising the score for record as provided in the tournament program.
- (b) By outranking the competitor with the lowest score on any one target of those comprising the score for record.
- (c) If still a tie, by combining all awards to which those tied are entitled and dividing equally among those tied. Lots will be cast for merchandise, medals or other trophies.

**15.12 League** - In League competition in which team standings are determined by the number of matches won and lost, ties will be decided by a shoot-off over the same course of fire as that used during the League season.

**15.13 Unbreakable Ties** - In case a tie cannot be ranked under the provisions of the above rules of this section, the Match Director will direct that the tie be decided and awards given under one of the following plans as appears necessary or advisable:

- (a) By the firing of a complete or partial score under the original match conditions.
- (b) By the drawing of lots for merchandise, medals or trophy awards and combining any other awards to which those ties may be entitled, and making equal division of awards among those tied.

## 16. CHALLENGES AND PROTESTS

**16.1 Challenges** - When a competitor feels that a shot fired has been improperly evaluated or scored, the scoring may be challenged. Such challenge must be made immediately upon announcement of the score. No challenge will be accepted after the target has been handled by the shooter or removed from the range.

- (a) A challenge fee not to exceed \$3.00 may be charged to all competitors making challenges. The challenge fee will be collected before making the first re-check of the challenged score. If the competitor's challenge is sustained at any point in the process of the evaluation, the challenge fee will be returned. If the challenge is lost, the challenge fee will be included in the general revenue of the tournament. The decision of the Official Referee, Jury or Supervisor will be final in NRA competition.
- (b) When targets are scored on frames and the scoring of a shot is challenged, the Range Officer will immediately call the Official Referee or Supervisor, who will score the target. If necessary to avoid delaying the match, the challenged target will be replaced with a clean target and the match will proceed. The Official Referee, Jury or Supervisor will score the target as soon as possible and notify the competitor.
- (c) When targets are scored in the Statistical Office, the re-evaluation will be made by the Chief Statistical Officer (provided he has not previously scored or checked the target) and the Official Referee, Jury or Supervisor, in that order.
- (d) Competitors must immediately challenge the scoring of any shot on which they disagree with the target marker. It is the duty of the Range Officer to accept the challenge; collect the fee without comment; direct that no further shots be fired by the competitor until the challenge has been decided; personally telephone the Pit Officer and remain at the firing point until the correct value is signaled from the pit. The Pit Officer shall examine the challenged target carefully, scrutinizing all lines, figures, and wrinkles to locate possible undetected hits using a magnifying glass to resolve close scoring values, before signaling results found. The Pit Officer's decision is final. If the competitor's challenge is sustained, the challenge fee will be returned immediately; otherwise, it is forfeited and turned over to the Statistical Officer.
- (e) The Match Director may at his discretion recheck any competitor's target or scorecard by an administrative challenge. Such challenge must be made within the posted challenge period and checked by the Official Referee or Jury.

**16.2 Protests** - A competitor may formally protest:

- (a) Any injustice which is felt has been done, except the evaluation of a target, which may be challenged as outlined in Rule 16.1.
- (b) The conditions under which another competitor has been permitted to fire.
- (c) The equipment which another competitor has been permitted to use.

**16.2.1 Authority of Protest Committees** - National Championships protest committees or juries may be established at National Championships to rule on protests arising from activities at those sites. However, the decisions of these special protest committees or juries shall not contravene prior interpretations of the NRA Rules and/or precedents established by the NRA Protest Committee. (See Rule 11.8.)

**16.3 How to Protest** - A protest must be initiated immediately upon the occurrence of the protested incident. Failure to comply with the following procedures will automatically void the protest:

- (a) State the complaint orally to the Chief Range (Chief Statistical) Officer. If not satisfied with that Official's decision then:
- (b) State the complaint orally to the Official Referee or Jury Chairman. If not satisfied with their decision then:
- (c) File a formal protest in writing with the Official Referee or Jury Chairman stating all the facts in the case. Such written protest must be filed within 12 hours of the occurrence of the protested incident.
- (d) The Official Referee or Jury Chairman will then forward the protest with a complete statement of facts



within 48 hours of it's receipt to the Protest Committee at NRA Headquarters for disposition.

- (e) At the National Championships, all protests must be initiated no later than one hour after the completion of firing for the day. In the case of protested awards, the protest must begin no later than one-half hour after the completion of the awards ceremony.

**16.4 Challenges and Protests in Team Matches** - These must be made by the Team Captain. Team members who believe they have reason to challenge or protest will state the facts to their Team Captain, who will make the official challenge or protest if it is felt such action is justified.

## 17. NRA NATIONAL RECORDS

*NRA National Records shall be established only by American citizens who are NRA members or Junior members of NRA affiliated clubs..*

*National Records may be established only when competition exist, i.e., more than one competitor or team in an event.*

**17.1 Where Scores for National Records Can Be Fired** - Scores to be recognized as National Records must be fired in NRA Registered competition as defined in Rule 1.6, paragraphs (a), (b), (c), and (d). National Records must be approved by the NRA before being declared official. National Records may not be established during re-entry matches.

**17.2 Scores to be Used** - Scores must be complete scores for an entire scheduled match. Stage scores or scores for only part of a match will not be used for Records.

**17.3 Scores for National Individual Records** - Such scores must be fired in individual matches. No scores fired in a fired team match will be considered for recognition as an individual record.

**17.4 Scores for National Team Records** - Such scores will be fired in matches where teams, representing an affiliated NRA organization, fire as a unit and no combination of individual match scores will be considered for recognition as a team record. National Records will not be recognized for "Pick Up" Teams.

### 17.5 Courses of Fire for which National Records are Recognized -

*Note: National Black Powder Target Rifle Records are maintained for scores fired over the following courses for "Open", "Woman", and "Junior", "Senior", "Muzzle Loader" and "Scope" categories fired on the targets indicated. "Black Powder Military Rifle" records will be recognized for Black Powder Military Rifle (Rule 3.2) and Rifle (Rule 3.1) records if they supersede the current record in either of the categories. In order for records to be recognized promptly, National Record Reporting forms must be submitted to NRA by the Statistical Officer of the tournament in which they were fired, after being certified by the Jury or Referee. National Record Reporting forms are mailed to sponsors of NRA Registered Tournaments by NRA Headquarters.*

*Unlimited practice shots shall be fired and recorded in courses of fire described in Rule 17.5 (t) thru (w). Up to four sighters shall be fired and recorded in each stage of all other listed courses of fire.*

	Range	Target	Total Shots	Course
(a)	100 yds	SR-1 SR-21 MR-31	30	30 Shot Match Course 10 shots, Slow Fire, Standing (SR-1) 10 shots, Slow Fire, Sitting or Kneeling with Crossed sticks (SR-21) 10 shots, Slow Fire , Any Position (MR-31)
(b)	200 yds	SR	10	10 shots, Slow Fire, Standing
(c)	200 yds	SR-42	10	10 shots, Slow Fire, Sitting
(d)	200 yds	MR-52	10	10 shots, Slow Fire, Any Position
(e)	200 yds	SR	10	10 shots, Slow Fire, Any Position
(f)	200 yds	SR SR-42 MR-52	30	30 Shot Match Course 10 shots, Slow Fire, Standing (SR) 10 shots, Slow Fire, Sitting or Kneeling with Crossed Sticks (SR-42) 10 shots, Slow Fire, Any Position (MR-52)
(g)	300 yds	SR-3	10	10 shots, Slow Fire, Sitting or Kneeling with Crossed Sticks

(h)	300 yds	MR-63	10	10 shots, Slow Fire, Any Position
(i)	300 yds	SR-3	10	10 shots, Slow Fire, Any Position
(j)	200 yds 300 yds	SR SR-3 MR-63	30	30 Shot Match Course 10 shots, Slow Fire, Standing at 200 yds (SR) 10 shots, Slow Fire, Sitting or Kneeling with Crossed Sticks at 300 yds (SR-3) 10 shots, Slow Fire, Any Position at 300 yds (MR-63)
(k)	500 yds	MR-65	10	10 shots, Slow Fire, Any Position
(l)	600 yds	MR-1	10	10 shots, Slow Fire, Any Position
(m)	200 yds 300 yds 600 yds (500 yds)	SR SR-3 MR-1 MR-65	30	30 Shot Match Course 10 shots, Slow Fire, Standing at 200 yds (SR) 10 shots, Slow Fire, Sitting or Kneeling with Crossed Sticks at 300 yds (SR-3) 10 shots, Slow Fire, Any Position at 600 yds (MR-1) 10 shots, Slow Fire, Any Position at 600 yds (MR-65)
(n)	200 yds 300 yds 600 yds	MR-52 MR-63 MR-1	30	30 Shot Mid-Range Any Position Course
(o)	200 yds 300 yds 600 yds	SR SR-3 MR-1	30	30 Shot Mid-Range Any Position Course
(p)	200 yds 300 yds 600 yds (500 yds)	SR SR-3 MR-1 MR-65	60	“National Match” Course Two 30 Shot Match Courses
(q)	200 yds 300 yds 600 yds	MR-52 MR-63 MR-1	60	60 Shot Mid-Range Any Position Two 30 Shot Mid-Range Courses, Any Position
(r)	200 yds 300 yds 600 yds	SR SR-3 MR-1	60	60 Shot Mid-Range National Championship Any Position Course
(s)	200 yds 300 yds 600 yds 1000 yds	SR SR-3 MR-1 LR	40	40 Shot Long Range Course 10 shots, Slow Fire, Standing at 200 yds (SR) 10 shots, Slow Fire, Sitting or Kneeling with Crossed Sticks at 300 yds (SR-3) 10 shots, Slow Fire, Any Position at 600 yds (MR-1) 10 shots, Slow Fire, Any Position at 1000 yds (LR)
(t)	800 yds	LR	10/15	10/15 shots, Slow Fire, Any Position at 800 yds (LR)
(u)	900 yds	LR	10/15	10/15 shots, Slow Fire, Any Position at 900 yds (LR)
(v)	1000 yds	LR	10/15	10/15 shots, Slow Fire, Any Position at 1000 yds (LR)
(w)	800 yds 900 yds 1000 yds	LR	30/45	10/15 shots, Slow Fire, Any Position at 800 yds (LR) 10/15 shots, Slow Fire, Any Position at 900 yds (LR) 10/15 shots, Slow Fire, Any Position at 1000 yds (LR)

- (x) 800 yds LR 60 National Championship Creedmoor Course  
900 yds  
1000 yds
- (y) Team Matches - Four man team matches fired over the courses described in items (a), (e), (h), (k), (m), and (r).

**17.6 Co-holder Records** - Tie breaking Rules beyond the use of numerical scores, including X count, will not be employed when establishing National Records. Co-holder status will be accorded to individuals or teams when their score equals a National Record.

## 18. COMPETITORS' DUTIES AND RESPONSIBILITIES

**18.1 Discipline** - It is the duty of each competitor to fully and sincerely cooperate with tournament officials in the effort to conduct a safe, efficient, enjoyable tournament. Competitors are expected to promptly call the attention of proper officials to any infraction of rules of safety or good sportsmanship. Failure of a competitor to cooperate in any case arising out of infractions of these rules may result in the uncooperative competitor being considered as an accessory to the infraction. (See Rule 9.30.)

**18.2 Knowledge of Program** - It is the competitor's responsibility to be familiar with the program. Officials will not be held responsible for a competitor's failure to obtain and be familiarized with the program.

**18.3 Eligibility** - It is the competitor's duty to enter only those events for which they are eligible and to enter in the proper classification.

**18.4 Classification** - It is the competitor's duty to have his current classification card in his possession when competing in competition using a classification system. Unclassified competitors may obtain their Score Record Book from the Official Referee, Supervisor, or tournament officials.

**18.5 Individual Entries** - In individual matches, it is the duty of competitors to make their own entries on the forms and in the manner prescribed for that tournament. Errors due to illegibility or the improper completion of forms are solely the competitor's responsibility. The Statistical Office is not required to accept corrections after the entry closing time.

**18.6 Squadding Tickets** - It is the competitor's duty to obtain squadding tickets for each match or to consult the squadding bulletin in ample time to permit reporting at the proper time and place to fire each match. It is not the duty of officials to page competitors to the firing line. Competitors, upon receipt of squadding tickets, should immediately inspect them for correctness of the competitor's number and non-interference in squadding assignments. Errors should be reported immediately to the Statistical Officer.

**18.7 Reporting at Firing Point** - Competitors must report at their assigned firing points immediately when the relay is called by the Range Officer. The proper equipment for that particular match must be ready and in safe firing condition. Time will not be allowed for repairs, sight blacking, sight adjustments or to search for missing equipment after a relay has been called to the firing line.

**18.8 Timing** - Time keeping for the firing of a string (within the official time limit) is the competitor's responsibility. Range Officers will not announce the time during the firing, but, if requested and convenient, will give the competitor information as to the remaining time.

**18.9 Loading** - No competitor will load except at the firing point and after the command "**COMMENCE LOADING AND FIRING**" has been given by the Range Officer. Muzzle loading rifles will be loaded only at the loading table behind the firing line and shall not be capped or primed until the competitor is in position on the firing line.

**18.10 Cease Firing** - All shooting will stop immediately upon the command "**CEASE FIRING**". Shooters must unload or remove caps and wait for further commands. Rifles must be kept pointed toward the targets. The Range Officer must be notified of loaded rifles. (See Rule 10.1.4, 10.7.)

**18.11 Checking Scores and Signing Scorecards** - It is the duty of competitors to check the shot values and the total score on the scorecard and to sign their scorecard at the conclusion of each match. Competitors must promptly check the Preliminary bulletin board and call attention to errors within the time specified at the tournament. When scoring is done in the Statistical Office, competitors must promptly read the Preliminary Bulletin and call the Statistical Office's attention to errors within the time limits specified at that tournament. Failures to check scores within the time limit results in the penalty of losing the privilege of any further challenge. Failure to sign a scorecard before leaving the firing line results in the loss of both the challenge and protest privilege. In Team Matches, the Team Captain must check and sign scorecards. (For procedures on challenges and protests, see Rule 16.)

**18.12 Clearing the Firing Point** - It is the competitor's duty to leave the firing point promptly at the conclusion of the relay. When leaving the firing point guns must be completely unloaded and uncapped and all debris picked up.

**18.13 Checking Bulletin Board** - It is the duty of all individual competitors and Team Captains to read the Bulletin Board between each match. The Statistical Officer must be immediately notified of apparent errors. Official Bulletins must be read and the Statistical Officer notified of any discrepancies between the Preliminary and Official Bulletins. Match Director's Bulletins on the Bulletin Board have the same effect as conditions printed in the tournament program. It is the duty of competitors to familiarize themselves with all such Match Director's Bulletins.

**18.14 - Blank**

**18.15 Responsibility** - It shall be the competitor's responsibility:

- (a) That all equipment meets all rules and match specifications in any match in which that equipment is to be used.
- (b) That the competitor's position conforms to the rules.
- (c) That the competitor has full knowledge of the rules under which the match is fired.
- (d) That after due warning of any infraction of existing rules that the competitor shall understand that a repetition thereof shall be the subject of disqualification for that match or tournament.
- (e) It is the competitors responsibility to perform scoring and/or target pulling duties if assigned. If any competitor, or his substitute, fails to perform his squadded assignment for scoring and/or pulling targets, that competitor may be disqualified from the entire tournament.
- (f) That when targets are framed by the competitor, it is the competitor's responsibility to frame the correct target for the specific match and distance. (See Rule 14.7 (b)).
- (g) To insure that the target is not altered intentionally or with special marks which will be beneficial in any way. Shots fired on such targets will not be scored.
- (h) When targets are framed (mounted) by others, competitors must be given the opportunity to observe their assigned target and verify that it is clean and of the correct type before the "**COMMENCE LOADING AND FIRING**" command is given.

## 19. NATIONAL LONG RANGE BLACK POWDER RIFLE CLASSIFICATION

**19.1 Classified Competitors** - Classified competitors are all individuals who are officially classified by the NRA for Black Powder Target Rifle competition, or who have a record of scores fired over courses of fire used for classification (See Rule 19.4) which have been recorded in a Score Record Book.

**19.2 Unclassified Competitor** - An unclassified competitor is a competitor who does not have a current NRA Black Powder Target Rifle classification, either regular or temporary, by Score Record Book (Rule 19.14), nor an "Assigned Classification" (Rule 19.6). Such competitor shall compete in the Master Class.

### 19.3 - Blank

**19.4 Scores Used for Individual Classification** - Scores used for Black Powder Target Rifle classification or reclassification include all scores fired in NRA sanctioned individual and team competitions of the types defined in Rule 1.6 subparagraphs (a) through (f) inclusive, over the courses of fire listed in Rule 19.5, at ranges 100 through 600 yards inclusive will go toward midrange classification. Scores fired at ranges beyond 600 yards will go toward a long range classification. Scores from sanctioned League competitions may be used in Score Record Books if applicable (Rule 19.14) during the League season, but will not be entered in the official classification or reclassification procedure until completion of the League season.

### 19.5 Courses of Fire Used for Black Powder Target Rifle Classifications -

Distance	Target	Shots	Position
100 yds	SR-1	10	Standing
	SR-21	10	Sitting or Kneeling with crossed sticks
	MR-31	10	Any
200 yds	SR	10	Standing
		10	Any
	SR-42	10	Sitting or Kneeling with crossed sticks
	MR-52	10	Any
	MR-63	10	Any
500 yds	MR-65 (only)	10	Any
600 yds	MR-1	10	Any
800 yds	LR	10/15	Any
900 yds	LR	10/15	Any
1000 yds	LR	10/15	Any

**19.6 Assigned Classification** - A Competitor who has no NRA Black Powder Target Rifle classification, either regular or temporary by Score Record Book (Rule 19.14), but who has an NRA classification in one or more of the Smallbore, High Power or International Rifle categories, will be given an "Assigned Classification" corresponding to his highest in those categories. This "Assigned Classification" will apply until superseded by a temporary or regular classification.

- (a) If a competitor only has a classification in NRA Black Powder Cartridge Rifle Silhouette, that competitor will be given an "Assigned Classification" for his first match as listed below:

Master	.....	Master
AAA	.....	Expert
AA	.....	Sharpshooter
A or B	.....	Marksman

- (b) If a competitor has no NRA classification but has a classification from another black powder organization (ASSRA, NMLRA, -SSA, etc.) it will be accepted for classification in the competitor's first tournament.

**19.7 Lack of Classification Evidence** - It is the competitor's responsibility to have his NRA official classification card or Score Record Book with required scores for temporary classification (see Rules 19.1 and 19.4) and to present such classification evidence when required. Any competitor who cannot present such evidence will fire in the Master Class. A competitor's classification will not change during a tournament. A competitor will enter a tournament under his correct classification and fire the entire tournament in that class. Should it be discovered during a tournament that a competitor has entered in a classification lower than his current rating, the tournament records will be corrected to show the correct classification for the entire tournament.

**19.8 Competing in Higher Class** - Any individual or team may elect, before firing, to compete in a higher classification than the one in which classified. Such individual or team must fire in the higher class throughout the tournament.

When there are insufficient entries in any class to warrant an award in that class according to the match program conditions, the individual or team concerned may be moved by the Tournament Match Director to a higher class provided this change is made prior to the individual or team concerned having commenced firing in the tournament.

**19.9 Obsolete Classification and Scores** - All classifications and scores (including temporary, Rule 19.14) except Master, shall become obsolete if the competitor does not fire in NRA competition at least once during 3 successive calendar years. Master classification and scores shall become obsolete if the competitor does not fire in NRA competition at least once during 5 successive calendar years.

**19.10 Appeals** - Any competitor having reason to believe that he is improperly classified may file an appeal with the NRA stating all essential facts. Such appeals will be reviewed by the NRA Protest Committee.

**19.11 Protest** - Any person who believes that another competitor has been improperly classified may file a protest with the NRA stating all essential facts. Such protests will be reviewed by the NRA Protest Committee.

**19.12 Team Classification** - Teams are classified by computing the "team average" based on the classification of each firing member of the team. To compute this "team average", the key in Table No. I for the different classes will be used, and the team total divided by the number of firing members of the team. Any fractional figure in the team average of one half or more will place the team in the next higher class. The "team average" will establish classification of the team as a unit but will not affect in any way the individual classification of the team members.

**TABLE NO. I - TEAM**

<b>Class</b>	<b>Key</b>
Master .....	4
Expert .....	3
Sharpshooter .....	2
Marksman .....	1

**19.13 Reporting Scores** - NRA competition (see Rule 1.6) sponsors will report to the NRA all individual and fired team match scores fired over the courses stated in Rule 19.5. Scores fired in individual matches will be reported as aggregate totals, and scores from fired team matches will be reported as a separate aggregate total. Scores from all tournaments and sanctioned leagues will be reported by each sponsor no more than 30 days following completion of the tournament firing schedule.

**19.14 Score Record Book - (Temporary Classification)** - A competitor who does not have a regular NRA Black Powder Target Rifle classification will obtain an NRA "Scores Record Book" from the Official Referee, Supervisor, or Tournament Statistical Office, or from the Secretary of a sanctioned league, in which he will enter all his Black Powder Target Rifle scores fired in NRA sanctioned individual and team competition of the types defined in Rule 1.6 subparagraphs (a) through (f) inclusive. The total of all scores so recorded, divided by the number of 10-shot strings represented, will be the competitor's average for temporary classification in accordance with Table II below. Scores from at least one complete tournament (Rule 1.1) or league match (1.6(f)) are required in order to establish an initial temporary classification. The Score Record Book and any such temporary classification are superseded when the competitor's regular classification becomes effective.



**19.15 Individual Class Averages** - Competitors classified or reclassified on the basis of scores fired under the conditions specified in Rule 19.4, reduced to 10 shot averages, those averages leading to classifications as shown in Table II below:

**TABLE NO. II**

a) Individual Position - Mid-Range

Master	90.00 and Above
Expert	80.00 to 89.99
Sharpshooter	70.00 to 79.99
Marksman	Below 70.00

b) Individual Prone - Mid-Range

Master	95.00 and Above
Expert	85.00 to 94.99
Sharpshooter	75.00 to 84.99
Marksman	Below 75.00

c) Long Range (beyond 600 yards)

Master	75.00 and Above
Expert	50.00 to 74.99
Sharpshooter	25.00 to 49.99
Marksman	Below 25.00

**19.16 Establishing Classification** - A competitor will be classified when his scores for not less than 60 shots have been reported as prescribed, except that classification will not include tournament or league scores until after all scores for the tournament or league concerned have been reported. When his classification is assigned, he will be furnished an official classification card showing the effective date.

**19.17 Reclassification** - A competitor who has been classified by the NRA will be reclassified as follows:

- (a) NRA Headquarters will record all scores which qualify for classification purposes according to Rule 19.4.
- (b) A competitor will be considered for reclassification upward when his scores for not less than 120 shots, fired subsequent to the tournament date at which he earned his current classification, have been recorded as prescribed, except that such consideration will not include tournament or league scores until after all scores for the tournament or league competition concerned have been recorded. If his average scores so justifies, he will be reclassified upward accordingly.
- (c) A competitor will be reclassified downward only upon a written request by him to the NRA, and only on the basis of at least 320 shots recorded as prescribed, fired subsequent to the effective date of his current classification. If his average on this basis so justifies, he will be reclassified downward accordingly.
- (d) If after reclassification downward, a competitor regains the classification thus vacated, he will not again be reclassified below the latter.
- (e) A reclassified competitor will be provided a new Classification Card showing the effective date.

## 20. NRA OFFICIAL REFEREE

**20.1 Eligibility** - Any individual, 21 years of age or older who fulfills the requirements currently in effect may be certified as an Official Referee.

### 20.2 Certification -

- (a) To be certified as an Official Referee, applicants must undertake such oral, written or practical examinations as the Association may require. The Board of Directors of the Association will be final judge as to the applicant's fitness for certification. Certification may be refused without stating a cause.
- (b) Certificates will remain in force for such periods as may be indicated on the face thereof. Certificates may be surrendered by the holder or canceled by the Association at any time without stating a cause.
- (c) Re-examination may be required at any time to determine the Official Referee's current ability to meet the requirements.
- (d) Official Referees may be authorized to serve with certain limitations specified in their authorization. Such limitation may be:
  - (1) For a limited time only, or
  - (2) For a special tournament or tournaments, or
  - (3) Within specified territorial boundaries, or
  - (4) For specified types of competition or classes of tournaments.
- (e) Insignia remains the property of the Association and must be returned at the termination of the Official Referee's certification.

### 20.3 Duties - General

- (a) It is the duty of the Official Referee at all times to keep informed of NRA bylaws, current competitive rules, and match administrative procedures and be equipped to act as a guide and counselor to every official at a tournament both on the range and in the Statistical Office.
- (b) He must be familiar with the various NRA qualification courses and with the National classification rules.
- (c) He must know the requirements for individuals membership in the Association and the general requirements for club affiliation.
- (d) It is his duty to report to NRA Headquarters any suggestion, criticism, incidents or trends which, in his opinion, should be considered by the Association in order to promote the best interest of shooting.
- (e) He must at all times and under all circumstances remember that the value as an Official Referee is in direct relation to his integrity, impartiality, broad knowledge of the game, courtesy, courage and sobriety. The use of alcoholic beverages while on duty will not be condoned, and its excessive use at any time will be sufficient cause for cancellation of the Official Referee's certificate.

### 20.4 Duties - Before Tournament -

- (j) If triggers are weighed, weigh, or supervise the weighing of, triggers.

Having accepted an assignment to serve, it is the duty of the Official Referee to:

- (a) Familiarize himself with the program.
- (b) Verify, by mail or in person, with the Match Director of the tournament that the range and statistical facilities are adequate and in good order and that ample range and statistical personnel have been

employed or definitely arranged for.

### **20.5 Duties - During Tournament**

- (a) Observe the functioning of the Statistic Office when first opened to help establish proper registration and squadding procedures. Make sure the Statistical Office has arranged to verify each competitor's current classification before issuing competitors' first squadding tickets.
- (b) Inspect target equipment and range personnel in company with the Match Director to ensure that the range will function properly.
- (c) Consult with the Match Director and arrange to have Official Bulletins posted immediately covering any authorized changes or corrections.
- (d) Personally observe the scoring and bulletin methods used when targets for the first relay are being scored and call attention to any errors before a faulty method becomes established.
- (e) Remain constantly alert for infractions of safety or competition rules by moving over the range behind the firing line from flank to flank; observing the activities of Target Runners, Range Officers, Scorers, Statistical Clerks, and spectators, watching competitors handling rifles, and so forth.
- (f) Report immediately to the Match Director any errors in administration or infractions of these rules by competitors or tournament operating personnel, requesting that they be corrected at once. If the matter is one requiring instant action, the Official Referee should direct whatever action is required and report actions and reasons therefore to the Match Director as soon as that official can be reached.
- (g) In tournaments when situations occur that are not specifically covered by an existing rule or rules, the Referee shall exercise best judgement in ruling for the best interest of safety, the shooting sports and competitors.
- (h) Personally consult with the Statistical Officer at the conclusion of the tournament to make sure that all bulletins have been properly completed and awards issued as prescribed in the Tournament Program.
- (i) Forward to NRA Headquarters all reports that may be required, including copies of National Record Reporting Forms, protests, decisions, appeals, and all written statements bearing on the case.

**20.6 Handling of Challenges and Protests** - Challenges and protests will be handled in the manner provided for in these rules.

**20.7 Assignment to Tournaments** - Official Referees are assigned to tournaments by NRA Headquarters.

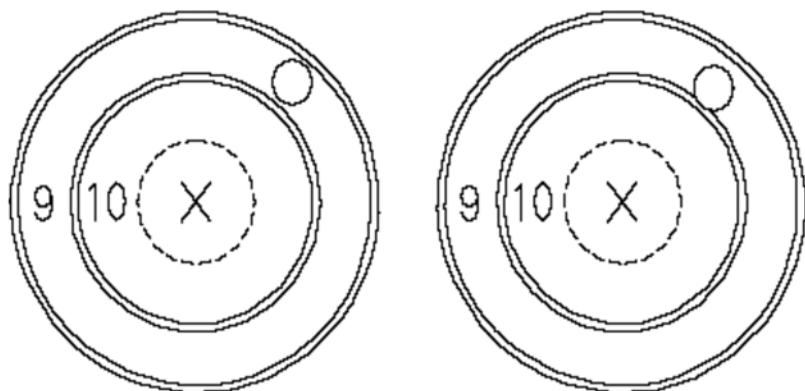
**20.8 Official Referee as Competitor** - No Official Referee may compete in any match fired in conjunction with any tournament where he is officiating.

### **20.9 Status of the NRA Official Referee -**

- (a) The Official Referee will not give directions to the tournament operating personnel except through the Match Director. In all emergency cases involving the safety of personnel or property the Official Referee will act immediately and forcefully, taking full responsibility and reporting his action thereafter to the Match Director and to the National Rifle Association when making his tournament report. In the event of a disagreement between Match officials, the Official Referee shall prevail at the Match with recourse only to the Protest Committee.
- (b) The Official Referee is a representative of the National Rifle Association and is present at a tournament to interpret the rules and regulations for the benefit of both the tournament officials and the competitors. It is the Referee's duty to see that all such rules and regulations are properly and efficiently enforced. The Referee is not responsible for the actual administration and conduct of the tournament except to enforce the rules and regulations. It is the Referee's duty to make such suggestions and recommendations as are necessary to enable the tournament staff to operate in the most satisfactory manner.

**20.10 NRA Official Jury** - At any Registered Tournament where no Referee is assigned or at any Approved Tournament, the Match Sponsor shall appoint a Jury to be composed of persons who may or may not be competitors in the match, who are recognized as shooters and who are familiar with the NRA rules governing rifle matches. Tournament officials may not serve as members of the Jury. This Jury shall act on any protest or dispute concerning procedures, equipment or any other question which may arise during the tournament.

## Black Powder Target Rifle Illustrations



The Correct of scoring  
The shot on the left counts 9, the one on the right, 10

**APPENDIX  
NRA COMPETITION TOURNAMENT PROGRAMS**

*Note: The tournament program must describe the conditions of the match, the positions, rifle, caliber of rifle, ammunition, target, range and should also cover all of the following points.*

**TOURNAMENT NAME:**

Do not designate "State Championship" unless authorized by the State Association; "Sectional" or "Regional Championship" unless authorized by the NRA.

**DATE(S):**

Enter the date(s) of the tournament.

**SPONSORING ORGANIZATION:**

Name of Club or Association.

**FOR INFORMATION CONCERNING TOURNAMENT WRITE TO:**

Give name and complete address as you want it listed in Coming Events Notice.

**DIRECTIONS TO RANGE:**

List directions clearly.

**RULES:**

The statement that "Current NRA Rules shall govern" should be in the program and will allow the most liberal conditions found in those Rules. State any additional rules required by conditions of the competition concerned.

**COMPETITION OPEN TO:**

Indicate eligibility requirements. See Rules 1.7 (c) -(e). (Tournament sponsors may restrict competition to residents of certain areas, members of certain groups, competitors in certain classification groups, etc., provided such restrictions are plainly stated in the program.)

**REGISTRATION FEE:**

List amount of tournament registration fee to be charged each competitor and what it entitles the competitor to (brassards, competitor number badge, etc., and a copy of the Official Bulletin).

**ENTRIES:**

List name and address of person to whom entries should be mailed.

**POST ENTRIES:**

Show that Post Entries will or will not be accepted, closing time and fee.

**ENTRY LIMIT:**

State number of entries that will be accepted.

**FIRING STARTS:**

State hour first relay of first match will begin each day.

**CLASSIFICATION OF COMPETITORS:**

Black Powder

See General Regulations. If the NRA Classification System is not used or if classes are combined, list details.

#### **AWARDS:**

List schedule of awards for individual and team matches. Specify method, time and place of issuing awards.

#### **MATCH SCHEDULE AND CONDITIONS:**

Give complete details on course of fire, type of sights, rifle, caliber of firearm, etc.

#### **GENERAL INFORMATION:**

List eating facilities, housing facilities, etc.

### **GENERAL REGULATIONS FOR NRA SANCTIONED TOURNAMENTS**

*Tournament sponsors must follow these Regulations as directed by Rule 1.4. They provide standard procedures required for the sanctioning of NRA Tournaments, establishing of fee structures, awards, reporting, cancellations, NRA membership requirements and other items involved with NRA Sanctioned Tournaments, both Registered and Approved.*

#### **A. GENERAL REGULATIONS GOVERNING NRA APPROVED TOURNAMENTS**

**1. SANCTION OF NRA APPROVED TOURNAMENTS:** To obtain approval of tournaments the following steps must be taken by the sponsoring organizations in advance of the tournament date:

- (a) Send your completed application and draft copies of your completed programs a minimum of 30 days in advance of tournament date.
- (b) If the above is not done, the NRA reserves the right to cancel its sanction of the tournament.
- (c) In order to be listed **once** in the "Coming Events" section of *Shooting Sports USA*, your applications and programs must be sanctioned by the Competitions Division by the 15th of the month, three months before the month of issue. If you desire publicity in more than one issue, an additional month's notice must be allowed for each monthly listing.

**2. GRANTING OF "APPROVED" SANCTION:** As soon as the tournament is granted Approved sanction, one copy of the signed application, an Official Sanction Poster, and a corrected (if necessary) copy of the draft program will be returned to the sponsor. These items provide the authority to the sponsor to conduct the tournament. All changes and information provided in the approved draft program must appear in the final printed program. No major changes in courses of fire, number of matches, etc., may be made unless NRA is notified. This may be done in writing if time permits, or by including a copy of the Match Director's Bulletin which makes the changes with the final results of the tournament.

**3. TOURNAMENT CANCELLATION:** If a tournament is canceled, NRA must be notified immediately.

**4. CLASSIFICATION OF COMPETITORS:** The NRA Classification System may be used, but is not required.

**5. COURSES OF FIRE IN APPROVED TOURNAMENTS FOR CLASSIFICATION:** Courses of fire which may be used for classification are listed in Rule 19.4. It is not required that these specific courses of fire be used in Approved tournaments, but, if the scores are to be used for classification, they must be used.

**6. AWARDS:** All awards are furnished by the sponsor. The minimum award schedule must include only the Tournament Winner, that person (team) firing the highest score regardless of category. The method, time and place of issuance of awards is at the option of the sponsor with due notice to the competitors in the Tournament Program.

#### **7. ENTRY FEES:**

- (a) NRA Registration Fee: A fee of **\$4.50** per competitor is charged by NRA for Approved Tournaments.

- (b) Sponsor Entry Fees: The amount of these fees is determined by the sponsor, and must be stated in the program separately from the NRA Registration Fee.

**8. TOURNAMENT OFFICIALS AS COMPETITORS:** Officials may compete in Approved Tournaments.

## 9. Blank

**10. NRA MEMBERSHIP:** NRA membership is not required for participation in NRA Approved Tournaments. However, sponsors may elect to restrict those persons entering the tournament to NRA members.

**11. REPORTS TO NRA:** The Match Director is responsible for making certain that the following reports are forwarded to NRA within 30 days of firing. See Rule 19.13.

- (a) A Score Reporting (SR-7ML) card for each competitor showing the total number of shots fired in individual matches and a total score; the total number of shots fired in Fired Team Matches, and the total score of fired team match(es). The NRA membership ID number, if applicable, must be indicated on the card for classified competitors and competitors who are not yet classified. SR-7ML cards are available free of charge upon request in packs of 50.
- (b) A registration fee reporting form, and remittance of **\$4.50** per competitor.
- (c) A copy of any special Match Director's Bulletins.

## B. GENERAL REGULATIONS GOVERNING NRA REGISTERED TOURNAMENTS

The following regulations are established to provide standard procedures for all Registered Tournaments except Regional, Sectional and National Championships. State Championships **MUST** be approved and recognized by the State Association (Rule 1.6).

**1. SANCTION OF NRA REGISTERED TOURNAMENTS:** To obtain approval of tournaments, the following steps must be taken by the sponsoring organization in advance of the tournament date.

- (a) Send your completed applications and draft copies of your completed programs a minimum of 45 days in advance of tournament date.
- (b) If the above is not done, the NRA reserves the right to cancel its sanction of the tournament.
- (c) In order to be listed **once** in the "Coming Events" section of *Shooting Sports USA*, your application and programs must be sanctioned by the Competitions Division by the 15th of the month before the month of issue. If you desire publicity in more than one issue (up to a maximum of 6 months), an additional month's notice must be allowed for each monthly listing.

**2. GRANTING OF "REGISTERED" SANCTION:** As soon as the tournament is granted Registered sanction, one copy of the signed application, program, and Official Sanction Poster, will be returned to the sponsor. In cases where a Referee is assigned, the Official Poster will be mailed after the Referee assignment is made, and the sponsor will be notified of the identity of the Referee at the same time. All changes and information provided in the approved draft program must appear in the final printed program. No major changes such as courses of fire, number of matches, etc., may be made unless NRA is notified. This may be done in writing if time permits, or by including a copy of the Match Director's Bulletin which makes the changes with the final results of the tournament.

**3. TOURNAMENT CANCELLATION:** If a tournament is canceled, NRA must be notified immediately.

**4. CLASSIFICATION OF COMPETITORS:** A classification or category system must be used in Registered Tournaments. Sponsors may use an expanded classification system when large numbers of marksman or unclassified competitors are entered. (Samples available from Assistant Director's Office, Education & Training.)

**5. COURSES OF FIRE IN REGISTERED TOURNAMENTS, NATIONAL RECORDS AND CLASSIFICATION:** National Records may be set only in Registered Tournaments using courses of fire specified in Rule 17.5. Courses of fire which are used for classification are specified in Rule 19.4.



**6. AWARDS:** All awards are furnished by the sponsor. In Registered Tournaments, the minimum award schedule must consist of the following:

- (a) Individual Match Awards Required: **Winner** in each individual fired match and in each aggregate, awarded to the competitor with the highest total score.
- (b) Team Awards Required: (if there are team matches in the program) Winning team of each Team Match - the team firing highest total score in the match.

Note: The method, time and place of issuance of awards is at the option of the sponsor with due notice to the competitors in the Tournament Program.

**7. ENTRY FEES:**

- (a) NRA Registration Fee: A fee of **\$5.50** per competitor is charged by the NRA for Registered Tournaments.
- (b) Sponsor Entry Fees: The amount of these fees is determined by the sponsor, and must be stated in the program separately from the NRA Registration Fees.

**8. TOURNAMENT OFFICIALS AS COMPETITORS:** Officials may compete in Approved, Registered, State and Regional Tournaments. National Championship officials may not compete.

**9. NRA REFEREE:** An NRA Official Referee may be assigned by NRA to all State, Sectional, Regional, and National Championships. When a Referee is not present, the Match Director will appoint a 3-member Jury.

**NRA MEMBERSHIP:** NRA membership is encouraged, but not required, of all competitors in a Registered Tournament. Sponsors may accept NRA membership application and fees from non-members who wish to join the NRA.

**10. REPORTS TO NRA:** The Match Director is responsible for making certain that the following reports are forwarded to NRA within 30 days of firing. See Rule 19.13.

- (a) A Score Reporting (SR-7ML) card for each competitor showing the total number of shots fired in individual matches and a total score, the total number of shots, fired in fired team matches, and the total score of the fired team match(es). The NRA membership ID number must be indicated on each card. SR-7ML cards are available free of charge upon request in packs of 50.
- (b) A registration fee reporting form, and remittance of **\$5.50** per competitor.
- (c) A copy of any special Match Director's Bulletins.
- (d) A completed National Record Reporting form, even if no National Records were set.
- (e) Two complete sets of "Official Final Results Bulletin of Standings" for the tournament.

**12. FINAL RESULTS BULLETIN:** A copy of the official FINAL RESULTS BULLETIN must be sent to each competitor participating in the tournament **within 30 days**.

*"NOTE: The requirement to get the Final Results Bulletin to competitors within 30 days may be met by posting the results on an internet web site, provided competitors can download and/or print a paper copy. Sponsors who post electronic results will provide the competitors with the web site address and must provide a paper copy to competitors upon request."*

### **C. NRA QUALIFICATION SHOOTING**

Shooters always like some means by which they can measure their ability and progress. Whether the shooting is done at home, at the club range or in a tournament, there is greater satisfaction in achieving a previously set goal than just practicing. There are qualification courses for many types of shooting with fine awards within the reach of every shooter.

For specific information, direct your questions to the NRA Education and Training Division, 11250 Waples Mill Road, Fairfax, Virginia 22030.